

4

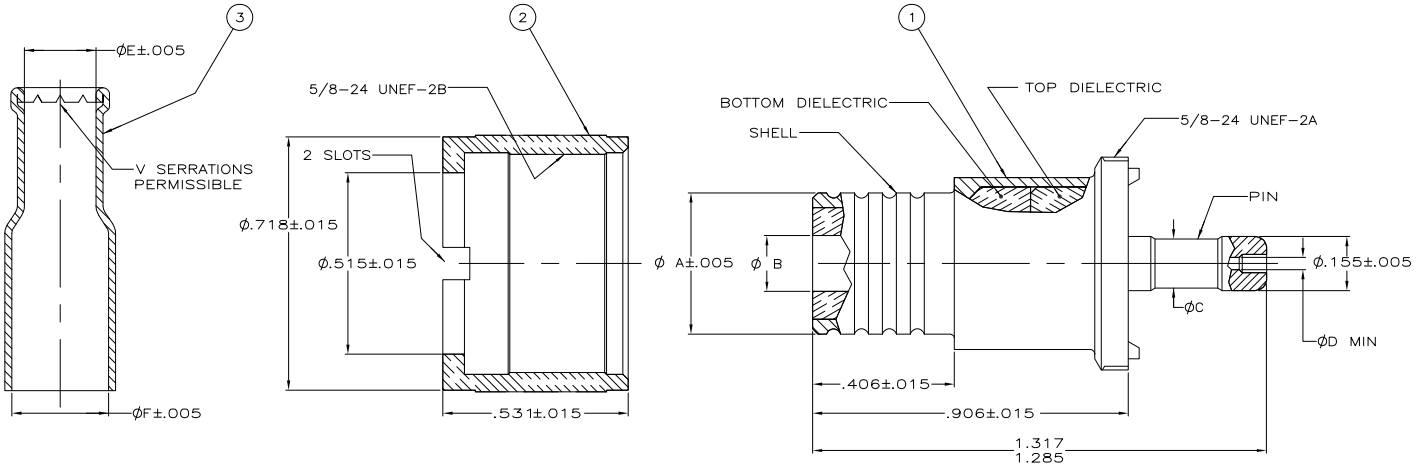
3

2

1

THIS DRAWING IS UNPUBLISHED. RELEASED FOR PUBLICATION  
 © COPYRIGHT BY TYCO ELECTRONICS CORPORATION. ALL RIGHTS RESERVED.

| LOC |    | DIST |     | REVISIONS             |         |    |      |
|-----|----|------|-----|-----------------------|---------|----|------|
| AJ  | 16 | P    | LTR | DESCRIPTION           | DATE    | BY | APPD |
|     |    | A    |     | REV PER EDD 06-002539 | 06APR06 | GB | JH   |



|         |      |      |      |      |      |      |      |                       |                   |                  |                     |             |
|---------|------|------|------|------|------|------|------|-----------------------|-------------------|------------------|---------------------|-------------|
| .705 OZ | .875 | .277 | .205 | .057 | .141 | .130 | .233 | RG-58/U               | 9-330915-1        | 9-330914-0       | 9-330913-1          | 2-5330830-4 |
| -       | .875 | .448 | .425 | .088 | -    | .295 | .405 | RG-8, RG-8A, RG-213/U | 9-330915-0        | 9-330914-0       | 9-330913-0          | 5330830     |
| WEIGHT  | G    | F    | E    | D    | C    | B    | A    | CABLE SIZE            | FERRULE QTY=1 (3) | COLLAR QTY=1 (2) | PLUG ASSY QTY=1 (1) | PART NUMBER |

| ITEM | MATERIAL AND FINISH  |
|------|--|
| 1    | COPPER PER QQ-C-576<br>SILVER PL PER QQ-S-365<br>.0002 MIN. EXT THK.   |
| 2    | BRASS PER ASTM B 16<br>SILVER PL PER QQ-S-365<br>.0002 MIN. EXT THK.   |
| 3    | PIN: BRONZE PER ASTM-B-140<br>SILVER PL PER QQ-S-365<br>.0002 MIN. EXT THK.<br>DIELECTRIC, TOP & BOTTOM:<br>POLYPROPYLENE (GENERAL PURPOSE)<br>SHELL: BRASS PER ASTM B 16<br>SILVER PL PER QQ-S-365<br>.0002 MIN. EXT THK. |

THIS DRAWING IS A CONTROLLED DOCUMENT.

|                           |   |                        |                      |   |   |
|---------------------------|---|------------------------|----------------------|---|---|
| DIMENSIONS:<br>INCHES<br> | OTHER FINISHES:<br>0 PL<br>1 PL<br>2 PL<br>3 PL<br>4 PL<br>ANGLE: 2 x 2 | MATERIAL:<br>SEE CHART | FINISH:<br>SEE CHART | MIN: VABELA - 214P02005<br>DICKS<br>OK: HAVENER 214P02005<br>PRODUCT SPEC: G. MICHAEL<br>APPLICATION SPEC: -<br>HEIGHT: SEE TABLE<br>CUSTOMER DRAWING | <br>Tyco Electronics Corporation<br>Harrisburg, PA 17105-3608<br>COAXICON CONNECTOR<br>UHF PLUG<br>SIZE: A2<br>CASE CODE: 00779<br>DRAWING NO: C=5330830<br>RESTRICTED TO: -<br>SCALE: 2:1<br>SHEET: 1 of 1<br>REV: A |
|---------------------------|---|------------------------|----------------------|---|---|

5330830

A

AMP 1471-9 REV 31MM2000