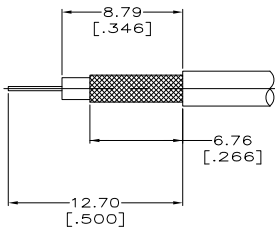


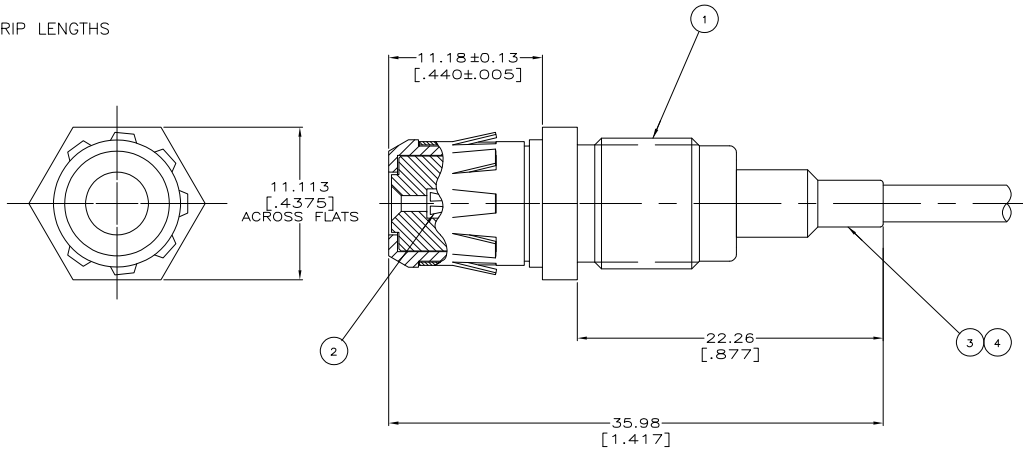
THIS DRAWING IS UNPUBLISHED. RELEASED FOR PUBLICATION
 © COPYRIGHT BY TYCO ELECTRONICS CORPORATION. ALL RIGHTS RESERVED.

LOC	DIST	REVISIONS			
F	LR	DESCRIPTION	DATE	BY	APD
AF	16	REV PER EC-0514-0496-04	31JAN2005	LV	KW



VIEW A
RECOMMENDED STRIP LENGTHS

- 1. PARTS PACKAGED UNASSEMBLED.
- ⚠ USE WITH HAND TOOL 354940-1
- 3. ACCEPTABLE MATING PIN RANGE: 0.97 [.038] TO 1.07 [.042] DIA.
- ⚠ FOR USE WITH RG-179/U CABLE.



VIEW A	⚠	220210-1 ⚠	227194-1	9-328666-0	9-415685-0	9-415684-0	5415683-1
STRIP LENGTHS	CABLE	DIE SET	④ BUSHING QTY=1	③ FERRULE QTY=1	② CONTACT QTY=1	① JACK ASSY QTY=1	PART NUMBER

THIS DRAWING IS A CONTROLLED DOCUMENT.		DWG: J. VASELA - 31JAN2005	Tyco Electronics Corporation Harrisburg, PA 17105-3608
DIMENSIONS: mm [INCHES]		CHK: J. HAVENER - 31JAN2005	
TOLERANCES UNLESS OTHERWISE SPECIFIED:		APPC: K. WEIDNER - 31JAN2005	NAME: JACK, BULKHEAD, FEEDTHRU, SEALED G SERIES
0 P.L.C.	± .005	PRODUCT SPEC:	SIZE: A2
1 P.L.C.	± .004	APPLICATION SPEC:	CAGE CODE: 00779
2 P.L.C.	± .004	WEIGHT:	DRAWING NO: 5415683
3 P.L.C.	± .004	FINISH:	RESTRICTED TO: -
4 P.L.C.	± .004	MATERIAL:	CUSTOMER DRAWING
ANGLES:	± .004	SCALE:	5:1
FINISH:	± .004	SHEET:	1 OF 1
		REV:	0