

4

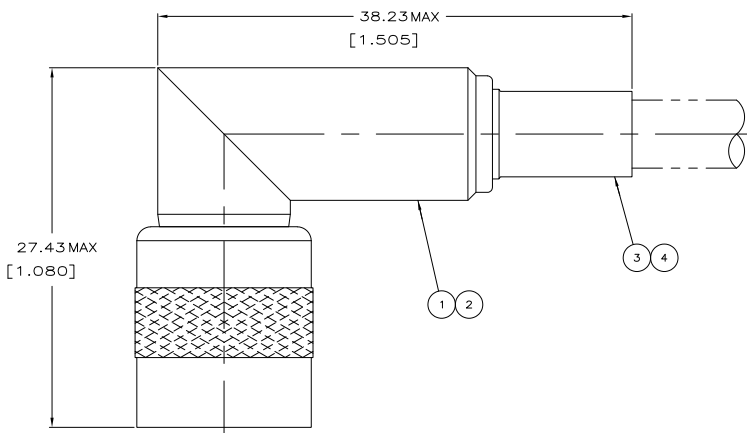
3

2

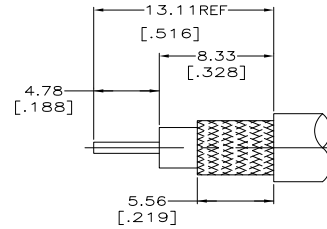
1

THIS DRAWING IS UNPUBLISHED. RELEASED FOR PUBLICATION  
 © COPYRIGHT BY TYCO ELECTRONICS CORPORATION. ALL RIGHTS RESERVED.

LOC	DIST	REVISIONS					
		P	LR	DESCRIPTION	DATE	BY	APPD
AJ	16	0		REV PER EC-0514-0496-04	31JAN2005	GA	—
		01		REVISED PER ECO-09-024927	10NOV09	KK	AEG



- △ USE HAND TOOL: 354940-1
- 2. USE INSTRUCTION SHEET 408-4144
- △ OBSOLETE PARTS: OBSOLETE CIS STREAMLINING PER D.RENAUD/D.SINISI



RECOMMENDED STRIP LENGTH

△ OBSOLETE	55/U, 55A/U, 55B/U, 223/U RG-174/U, 174A/U, 188/U, 188A/U, 316/U	220189-1 220210-1	- 227194-1	9-329099-0 9-328666-0	221149-6 2-221149-0	414124-1 414124-3	5414173-6 — 5414173-3
	FOR USE WITH CABLE	DIE SET	△ 4 TUBING QTY=1	3 FERRULE QTY=1	2 CONTACT QTY=1	1 PLUG ASSEMBLY QTY=1	PART NUMBER

THIS DRAWING IS A CONTROLLED DOCUMENT.		DATE: 31JAN2005	BY: G. ATTADIA	APPROVED: 31JAN2005	TYCO ELECTRONICS CORPORATION HARRISBURG, PA 17105-3608
DIMENSIONS:	INCHES	PRODUCT SPEC	APPLICATION SPEC	WEIGHT	RESTRICTED TO
0 PLG	—	—	—	—	—
1 PLG	—	—	—	—	—
2 PLG	—	—	—	—	—
3 PLG	—	—	—	—	—
4 PLG	—	—	—	—	—
ANGLES	—	—	—	—	—
MATERIAL	—	—	—	—	—
FINISH	—	—	—	—	—
CUSTOMER DRAWING		SIZE: A2	CAGE CODE: 00779	DRAWING NO: C=5414173	SCALE: 5:1
		SHEET 1 OF 1		REV 01	

AMP 1471-9 REV 31JAN2005

\\Gisela\folders\Jack\_Havener\sent\EC-0514-0496-04\_stat2\_group2\_COMPLETED\124 A 133\5414173-c\_1.dwg

5414173

A