

4

3

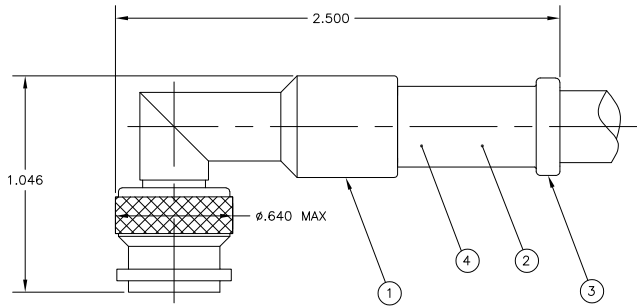
2

1

THIS DRAWING IS UNPUBLISHED. RELEASED FOR PUBLICATION
 © COPYRIGHT BY TYCO ELECTRONICS CORPORATION. ALL RIGHTS RESERVED.

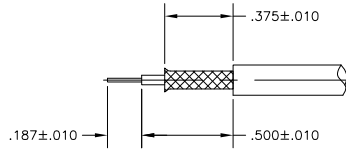
LOC	DIST	REVISIONS			
P	LTR	DESCRIPTION	DATE	BY	APP'D
AJ	16	O	RELEASED PER DS14-0496-04.	14FEB2005	JGH/JL

1. INSTRUCTION SHEET: 408-2299-5.

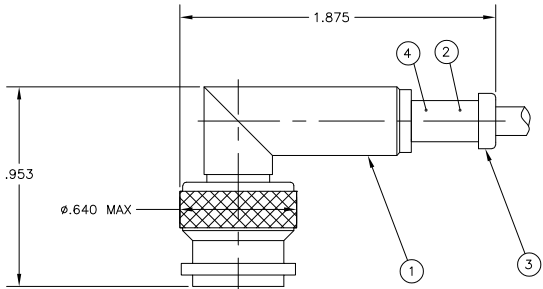


ASSEMBLED VIEW

VIEW Y

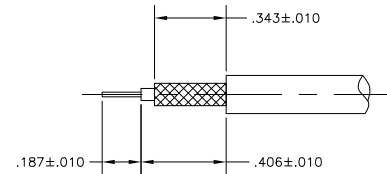


RECOMMENDED STRIP LENGTH



ASSEMBLED VIEW

VIEW X



RECOMMENDED STRIP LENGTH

RG 8/U & 213/U	220015-1	Y	332022	9-331987-0	225599-1	5-225518-2	5225559-8
RG 58A/U & 58C/U	220045-2	X	225592-1	9-225560-1	225471-1	5-225518-0	5225559-2
CABLE	HAND TOOL	VIEW	④ SEAL QTY: 1	③ FERRULE QTY: 1	② CONTACT QTY: 1	① PLUG ASSEMBLY QTY: 1	PART NUMBER

DIMENSIONS:		TYCO ELECTRONICS CORPORATION	
INCHES	0.0005	DATE	14FEB2005
0.0005	0.0005	BY	J. HAVENER
0.0005	0.0005	CHK	J. HAVENER
0.0005	0.0005	APP'D	J. LIPPERT
0.0005	0.0005	NAME	J. LIPPERT
0.0005	0.0005	PRODUCT SPEC	
0.0005	0.0005	APPLICATION SPEC	
0.0005	0.0005	WEIGHT	
0.0005	0.0005	FINISH	
MATERIAL		CUSTOMER DRAWING	

TYCO Electronics	Tyco Electronics Corporation Harrisburg, Pa 17105-3608
CONNECTOR, COAX, R.F. SERIES TNC DUAL CRIMP, RIGHT ANGLE PLUG, WEATHER PROOF	
SIZE	00779
CAGE CODE	C-5225559
RESTRICTED TO	
SCALE	3:1
SHEET	1 OF 1
REV	0

AMP 1471-9 REV 31MM2000

5225559

A