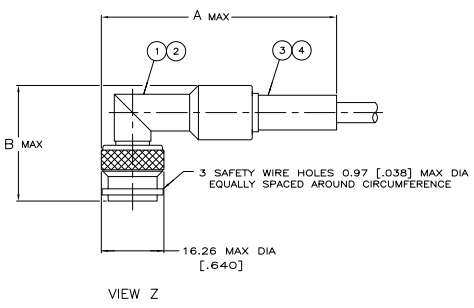
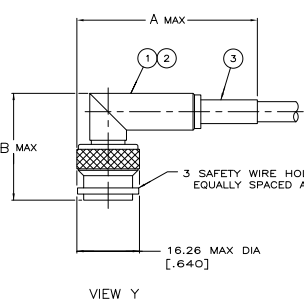
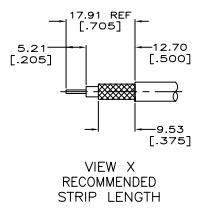
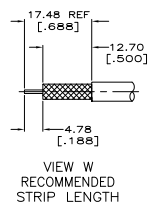
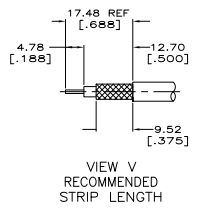
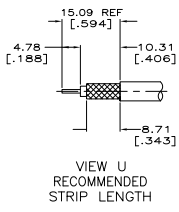


THIS DRAWING IS UNPUBLISHED
 ALL RIGHTS RESERVED

REV	DATE	DESCRIPTION	BY	CHK	APP
16					
MZ		REV PER ECO-10-003053			



FELECA F1703/94 AND FILOTEX 50 MFCFB
 2. SEE U.S. 2299-5



	220015-6	29.97 [1.180]	57.15 [2.250]	X AND Z	225908-1	9-331256-0	225471-7	5-225518-4	1-225349-1	
	RG-9/U,9A/U & 214/U	220015-1	29.97 [1.180]	59.51 [2.343]	W AND Z	-	9-51713-4	225599-1	225518-3	225349-9
SUPERSEDED BY 225559-8	RG-8/U,9A/U & 213/U	220015-1	28.57 [1.046]	59.51 [2.343]	V AND Z	-	51713-2	225599-1	225518-3	225349-8
SUPERSEDED BY 225554-6	RG-142/U,142A/U & 142B/U	220045-2	30.94 [1.218]	46.81 [1.843]	U AND Y	-	225382-2	225471-3	225518-1	225349-6
	[OBSOLETE] RG-141/U & 141A/U	220045-2	30.94 [1.218]	46.81 [1.843]	U AND Y	-	225382-2	225471-3	225518-1	225349-5
SUPERSEDED BY 225554-3	RG-59B/U & 62B/U	220045-3	30.94 [1.218]	42.85 [1.687]	U AND Y	-	50428-1	225471-2	225518-2	225349-3
SUPERSEDED BY 225554-2	RG-59/U,58A/U,58B/U & 58C/U	220045-2	30.94 [1.218]	46.81 [1.843]	U AND Y	-	50427-1	225471-1	225518-1	225349-2
SUPERSEDED BY 225554-1	RG-55/U,55A/U,55B/U & 223/U	220045-2	30.94 [1.218]	46.81 [1.843]	U AND Y	-	225382-2	225471-1	225518-1	225349-1
	CABLE SIZE	CRIMP TOOL	B	A	VIEW	④ SEAL QTY=1	③ FERRULE QTY=1	② CONTACT QTY=1	① PLUG ASSY QTY=1	PART NUMBER

THIS DRAWING IS A CONTROLLED DOCUMENT

IN SCOTT 0-30-81
 OR LIPPERT 0-10-81
 BY M. PHILLIPS 0-10-81

108-12001

PLUG, RIGHT ANGLE, SERIES TNC

DATE 00779 Q=225349

CUSTOMER DRAWING

DATE 2-1 1 1 MZ