

4

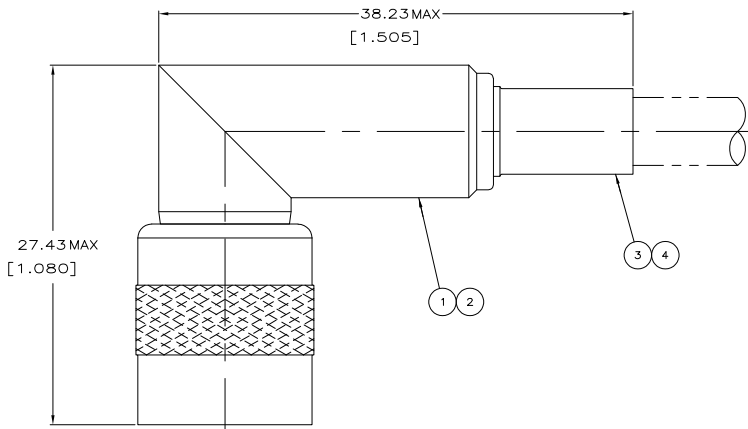
3

2

1

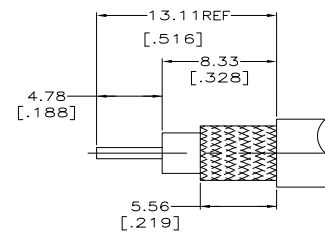
THIS DRAWING IS UNPUBLISHED. RELEASED FOR PUBLICATION  
 © COPYRIGHT BY TYCO ELECTRONICS CORPORATION. ALL RIGHTS RESERVED.

LOC	DIST	REVISIONS			
P	LTR	DESCRIPTION	DATE	BY	APPD
H1		REV PER EDD 06-022805	2/6/2007	DW	JL



△ USE HAND TOOL: 354940-1

2. USE INSTRUCTION SHEET 408-4144



RECOMMENDED STRIP LENGTH

OBsolete	55/U, 55A/U, 55B/U, 223/U	220189-1	-	9-329099-0	221149-6	414124-1	9-414173-0
	55/U, 55A/U, 55B/U, 223/U	220189-1	-	9-329099-0	221149-6	414124-1	414173-6
OBsolete	RG-142/U, 142A/U, 142B/U, 400/U	220189-1	-	9-225382-0	2-221149-6	414124-1	414173-5
OBsolete	RG-188/316 TYPE DOUBLE BRAID	58330-1	227194-1	9-329049-0	2-221149-0	414124-3	414173-4
	RG-174/U, 174A/U, 188/U, 188A/U, 316/U	220210-1	227194-1	9-328666-0	2-221149-0	414124-3	414173-3
OBsolete	RG-59/U, 59A/U, 59B/U, 62/U, 62A/U, 62B/U	220189-2	-	9-50428-0	1-221149-3	414124-2	414173-2
OBsolete	RG-58/U, 58A/U, 58B/U, 58C/U, 141/U, 141A/U	220189-1	-	9-50427-1	221149-6	414124-1	414173-1
	FOR USE WITH CABLE	DIE SET	④ TUBING QTY=1	③ FERRULE QTY=1	② CONTACT QTY=1	① PLUG ASSEMBLY QTY=1	PART NUMBER

THIS DRAWING IS A CONTROLLED DOCUMENT.		BY M. F. CONNOR 9-5-91	Tyco Electronics Corporation Harrisburg, PA 17105-3608
DIMENSIONS: INCHES		CHK J. T. LIPPERT 9-12-91	
DIMENSIONS: INCHES 0 PLG ± .005 1 PLG ± .005 2 PLG ± .005 3 PLG ± .005 4 PLG ± .005 ANGLES ± .005 FINISH -		NAME M. PHILLIPS PRODUCT SPEC - APPLICATION SPEC - HEIGHT -	SIZE CASE CODE DRAWING NO A2 00779 C=414173
MATERIAL -		CUSTOMER DRAWING	RESTRICTED TO -
		SCALE 5:1	SHEET 1 of 1 REV H1

AMP 1471-9 REV 31MM2000

414173

A