

4

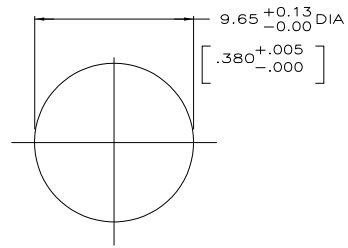
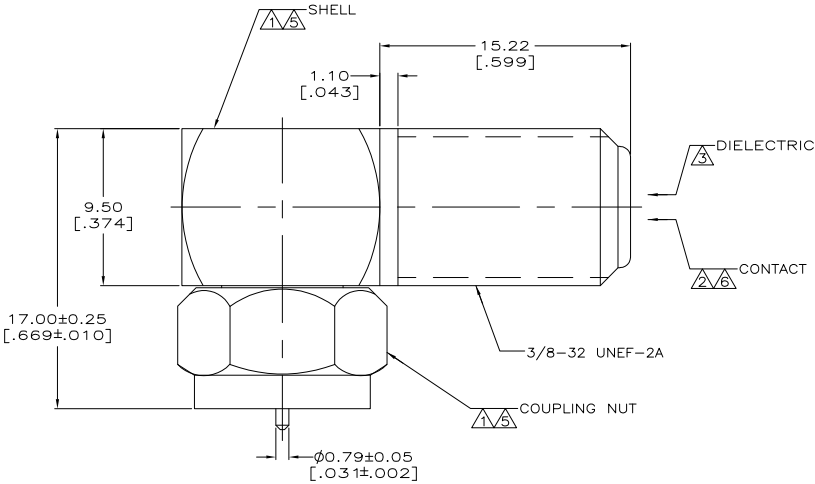
3

2

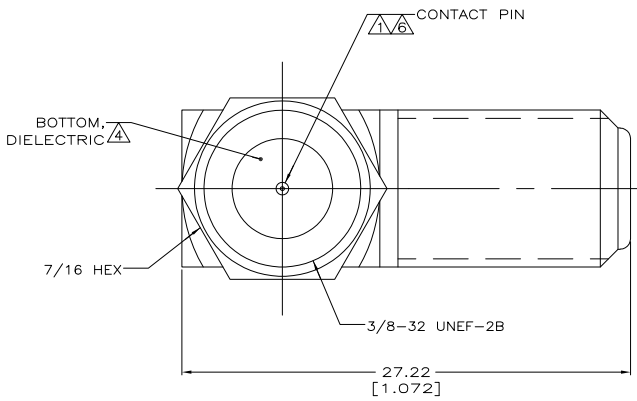
1

THIS DRAWING IS UNPUBLISHED. RELEASED FOR PUBLICATION
 © COPYRIGHT BY TYCO ELECTRONICS CORPORATION. ALL RIGHTS RESERVED.

LOC	DIST	REVISIONS			
P	LTR	DESCRIPTION	DATE	BY	APPD
AJ	00	REV PER EDD 06-016786	1/23/2007	DW	KW



SUGGESTED PANEL CUTOUT



- △ BRASS.
 - △ PHOSPHOR BRONZE.
 - △ POLYPROPYLENE, GENERAL PURPOSE
 - △ PTFE.
 - △ NICKEL PLATE 2.54 μm [0.000100] MINIMUM THICK.
 - △ TIN PLATE 2.54 μm [0.000100] MINIMUM THICK.
7. CONNECTOR WILL ACCEPT CENTER CONDUCTOR DIAMETER RANGE OF 0.51[0.020]-1.19[0.47]

887089-1
PART NO

THIS DRAWING IS A CONTROLLED DOCUMENT.		DN J. LIPPERT 9-9-97	Tyco Electronics Corporation Harrisburg, PA 17105-3608	JACK TO PLUG, R/A, F SERIES
DIMENSIONS: mm[INCHES]		OK K. WEDNER 9-9-97		
DIMENSIONS: mm[INCHES] 0 PLC ± - 1 PLC ± - 2 PLC ± 0.20 [0.008] 3 PLC ± - 4 PLC ± - ANGLES ± -		PRODUCT SPEC 108-1755 APPLICATION SPEC WEIGHT FINISH	SIZE CASE CODE DRAWING NO A2 00779 C-887089	RESTRICTED TO
MATERIAL SEE NOTES 1-4		FINISH SEE NOTES 5 & 6	CUSTOMER DRAWING	SCALE 6:1 SHEET 1 of 1 REV C

AMP 1471-9 REV 31MM2000

887089

A