

4

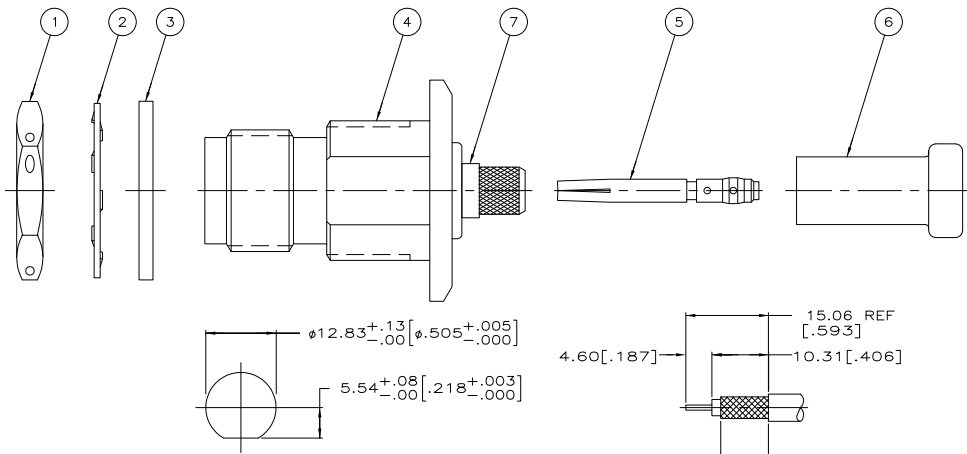
3

2

1

THIS DRAWING IS UNPUBLISHED. RELEASED FOR PUBLICATION  
 © COPYRIGHT BY TYCO ELECTRONICS CORPORATION. ALL RIGHTS RESERVED.

LOC	DIST	REVISIONS			
F	LTR	DESCRIPTION	DATE	BY	APP'D
AJ	00				
	01	REVISED PER ECO-06-029986	22DEC2006	KS	JL



220045-2	RG-142/U & 142B/U	225592-1	9-225560-0	225471-6	225475-2	329633	1-329632-2	1-329631-2	5225557-6
220045-2	RG-58A/U & RG-58C/U	225592-1	9-225560-1	225471-4	225475-2	329633	1-329632-2	1-329631-2	5225557-2
CRIMP WITH TOOL	CABLE SIZE	⑦ SEAL QTY=1	⑥ FERRULE QTY=1	⑤ CONTACT QTY=1	④ JACK ASSY QTY=1	③ GASKET QTY=1	② LOCKWASHER QTY=1	① JAM NUT QTY=1	PART NUMBER

DIMENSIONS: MM (INCHES)		TOLERANCES UNLESS OTHERWISE SPECIFIED		APPLICABLE DIMENSIONS	
0 PL	±	0.125	±	0.125	±
1 PL	±	0.250	±	0.250	±
2 PL	±	0.500	±	0.500	±
3 PL	±	1.000	±	1.000	±
4 PL	±	1.500	±	1.500	±
ANGLES	±		±		±
FINISH					

THIS DRAWING IS A CONTROLLED DOCUMENT.		BY: A. FERNANDEZ	DATE: 31JAN2005
		CHK: J. HAVENER	DATE: 31JAN2005
		APP: J. LIPPERT	DATE: 31JAN2005
		PRODUCT SPEC:	
		APPLICATION SPEC:	
		WEIGHT:	
MATERIAL:		SIZE:	A2
FINISH:		CAGE CODE:	00779
		DRAWING NO:	C=5225557
		RESTRICTED TO:	
CUSTOMER DRAWING		SCALE:	4:1
		SHEET:	1 OF 1
		REV:	01

TYCO Electronics Corporation  
 Harrisburg, PA 17105-3608

JACK, BULKHEAD, SERIES TNC

AMP 1471-9 REV 31JAN2005

5225557

A