

4

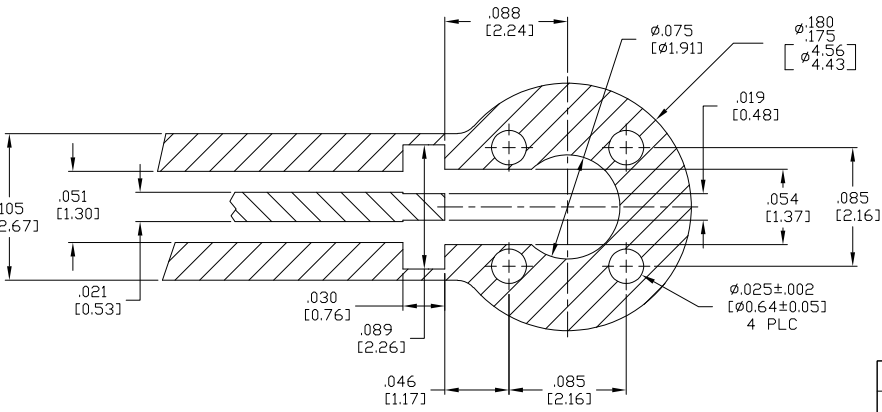
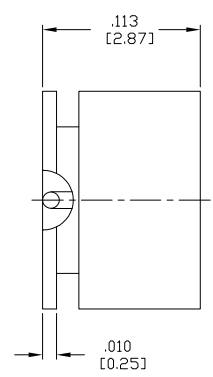
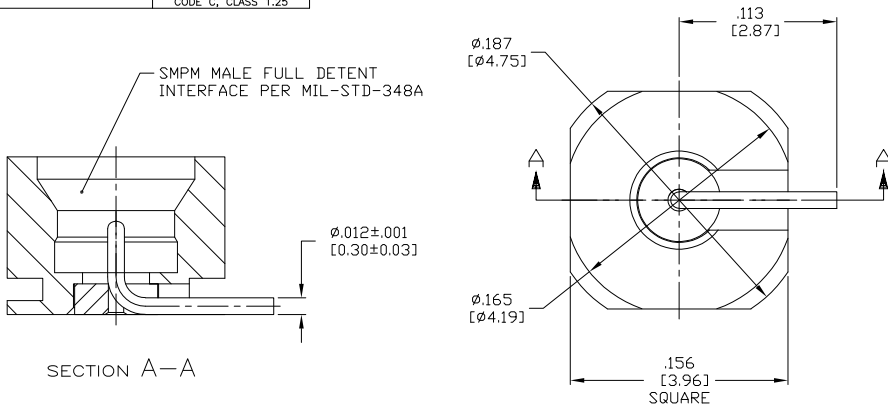
3

2

1

THIS DRAWING IS UNPUBLISHED.		RELEASED FOR PUBLICATION
© COPYRIGHT BY TYCO ELECTRONICS CORPORATION. ALL RIGHTS RESERVED.		
COMPONENT	MATERIAL	FINISH
HOUSING	BRASS PER ASTM-B16	GOLD PLATED PER ASTM-B-488 TYPE 3, CODE C, CLASS 1.25
DIELECTRIC	POLYAMIDE IMIDE PER MIL-R-46179	-
PIN	BERYLLIUM COPPER PER ASTM B196	GOLD PLATED PER ASTM-B-488 TYPE 3, CODE C, CLASS 1.25

LOC	DIST	REVISIONS					
DF	XO	P	LTR	DESCRIPTION	DATE	MIN	APD
		C		REV PER ECO 07-003624	2-28-07	CT	RG



1757254-1
PART NUMBER

THIS DRAWING IS A CONTROLLED DOCUMENT.		DR C. THOMAS 6-2-05	Tyco Electronics Corporation Harrisburg, Pa 17105-3608
DIMENSIONS: INCHES (mm)		OK 6-2-05	
MATERIAL SEE TABLE		FINISH SEE TABLE	NAME SMPM PCB SURFACE SURFACE MOUNT CONNECTOR, FULL DETENT SIZE CASE CODE DRAWING NO. A2 00779 ©=1757254 RESTRICTED TO:
CUSTOMER DRAWING		SCALE 20:1	SHEET 1 OF 1 REV C