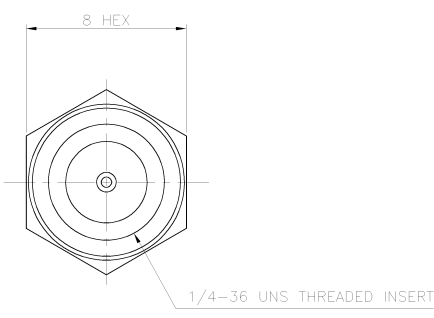
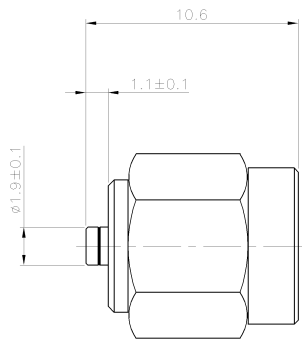


NUMBER C-1775227
 METRIC
 3RD ANGLE PROJECTION

THIS INFORMATION IS CONFIDENTIAL AND IS RELEASED TO YOU ON CONDITION THAT NO FURTHER DISCLOSURE IS MADE BY YOU TO OTHER THAN AMP PERSONNEL WITHOUT DIMENSIONS IN MILLIMETERS. DO NOT SCALE PRINT.



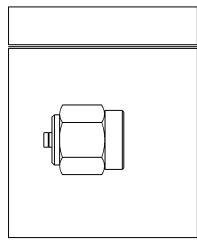
- NOTE:
- MATERIAL:
 SMA BODY: BRASS.
 MC PLUG: BRASS.
 CENTER CONTACT: BRASS.
 INSULATOR: TEFLON, UL 94V-0, WHITE COLOR.
 C-RING: STAINLESS STEEL.
 GASKET: SILICON RUBBER, ORANGE COLOR.
 - FINISH:
 0.03302μm [1.3μ"] MIN. GOLD PLATED OVER 1.27μm [50μ"] MIN. NICKEL ON SMA BODY, MC PLUG & CENTER CONTACT.

PRINT	DIST				
DW					
A	FIRST RELEASED	--	AW	15JUN	
LTR	REVISION RECORD	ECN	DWS	2006	
			CHK	DATE	

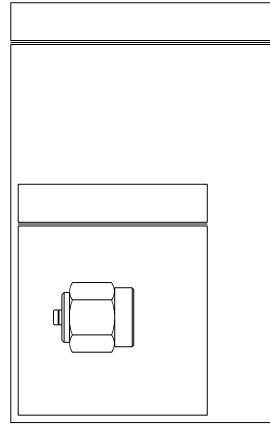
TOLERANCES UNLESS OTHERWISE SPECIFIED:		DWN	A. WU	1775227-1	
0	PLC ±	15-JUN-2006	PART NUMBER		
1	PLC ±0.3	CHK	S. HOU	TYCO HOLDINGS (BERMUDA) VII LTD. TAIWAN BRANCH	
2	PLC ±0.2	15-JUN-2006		NAME	
3	PLC ±0.1			SMA CONVERSION ADAPTOR	
ANGLES ±5°				UMCC TYPE II/III (AMC-113)	
MATERIAL		APVD	W.J. KE	LOC	
SEE NOTE		15-JUN-2006		SIZE	DRAWING NO
FINISH		QUALIFICATION TEST REPORT		DW	A ₃
SEE NOTE		-		SCALE	C-1775227
		WEIGHT		REV	
		2.4 GRAMS		A	
				SHEET	
				1 OF 2	

CUSTOMER DRAWING

NUMBER C-1775227
 METRIC
 3RD ANGLE PROJECTION



INNER BAG
 50 X 50 X 0.04



OUTER BAG
 70 X 100 X 0.04

THIS INFORMATION IS CONFIDENTIAL AND IS DECLASSIFIED TO YOU ON CONDITION THAT NO FURTHER DISCLOSURE IS MADE BY YOU TO OTHER THAN AMP PERSONNEL WITHOUT DIMENSIONS IN MILLIMETERS. DO NOT SCALE PRINT.

PRINT DIST
 DW

LTR	SEE SHEET 1.	ECN	DWN/CHK	DATE
-----	--------------	-----	---------	------

28.9 g	24.3 g	1	10	10 PCS
GROSS WEIGHT	NET WEIGHT	PCS /INNER BAG	INNER BAGS /OUTER BAG	QUANTITY

TOLERANCES UNLESS OTHERWISE SPECIFIED:	DWN	A. WU	tyco TYCO HOLDINGS (BERMUDA)	
0 PLC ±	15-JUN-2006	15-JUN-2006	VII LTD. TAIWAN BRANCH	
1 PLC ±	CHK	S. HOU	Electronics	
2 PLC ±	15-JUN-2006	NAME	SMA CONVERSION ADAPTOR	
3 PLC ±	APVD	W.J. KE	UMCC TYPE II/III (AMC-113)	
ANGLES ±	15-JUN-2006	15-JUN-2006	LOC SIZE DRAWING NO	
MATERIAL	PRODUCT SPEC	SCALE	A ₃	C-1775227
FINISH	APPLICATION SPEC	SCALE	---	2 OF 2
WEIGHT	WEIGHT	SCALE	---	SHEET

CUSTOMER DRAWING