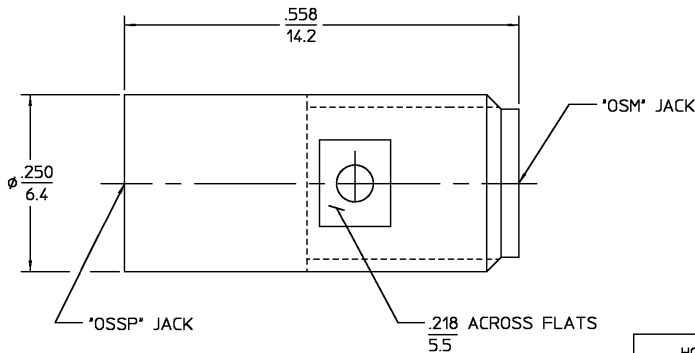


REVISIONS			
REV	DESCRIPTION	DATE	APPROVED
01 <sub>1</sub>	REVISED	6/18/84	<i>[Signature]</i>



ELECTRICAL	MECHANICAL	ENVIRONMENTAL
Nominal Impedance (Ohms) 50	Interface Dimensions Per OSM - MIL-STD-348A FIG. 310-2	Temperature Rating -65°C to +125°C
Frequency Range (GHz) DC to 18.0	OSSP - M/A-COM CATALOG	Vibration MIL-STD-202, Method 204, Condition D
Volt Rating (VRMS MAX) Sea Level 250	Mating Characteristics:	Shock MIL-STD-202, Method 213, Condition I
VSWR 1.05±0.01@(GHz)	Insertion 3.0	Thermal Shock MIL-STD-202, Method 107, Condition B
Insertion Loss (dB MAX) .06√(fGHz)	Withdrawal 1.0	Except High Temp 85°C
RF Leakage (dB MIN) -(60-(fGHz))	Force to Engage/Disengage 2.0	Mature Resistance MIL-STD-202, Method 106 Shall Be Omitted
Corona, 70,000 Ft (VRMS MIN) 190	Contact Retention	Corrosion - MIL-STD-202, Method 101, Condition B, 5% salt spray
Dielectric Withstanding Voltage (VRMS MIN) Sea Level 750	Axial (Lbs) 6.0	
Contact Resistance (Milliohms MAX)	Radial (In-Oz) 4.0	
Center Contact 2.0	Weight (Grams) TBD	
Outer Contact 2.0		
RF High Potential @ Sea Level (VRMS MIN @ 5 MHz) 500		
LR (Megohms MIN) 5,000		

COMPONENT	MATERIAL	FINISH
HOUSING	STAINLESS STEEL PER ASTM-A484 AND ASTM-A582, TYPE 303	PASSIVATE PER QQ-P-35
DIELECTRIC	PTFE FLUOROCARBON PER ASTM-D-1457	N/A
CENTER CONTACT	BERYLLIUM COPPER PER ASTM-B-196 OR ASTM-B-197, ALLOY C17300, CONDITION H	GOLD PLATE PER MIL-G-45204
CONTACT SLEEVE	BERYLLIUM COPPER PER ASTM-B-196, ALLOY C17300, CONDITION H	GOLD PLATE PER MIL-G-45204
CONTACT RING	BERYLLIUM COPPER PER ASTM-B-194, ALLOY C17200, CONDITION H	GOLD PLATE PER MIL-G-45204

UNLESS OTHERWISE SPECIFIED DIMENSIONS ARE IN INCHES		DATE 6/18/84	AMP Incorporated 140 Fourth Avenue Waltham, MA 02451-7599
FRAC. ± 1/64	DEC. ± .005	CHECKED BY SJA 12/6/84	
ANGLES ° ± °	APPD BY PCV 12/7/84	DATE 12/7/84	
These drawings and specifications are the property of M/A CDM Interconnect Div. and shall not be reproduced or copied or used in whole or in part as the basis for the manufacture or sale of items without written permission.		USE ASSY PROCEDURE	TITLE *OSSP* JACK TO *OSM* JACK ADAPTER
NO. AP. N/A		SIZE B	CODE IDENT NO. 26805
		SCALE 8:1	4780-2240-02
			REV 01 <sub>1</sub>
			SHEET 1 OF 1

CUSTOMER DRAWING

AMP PART # 1059928-1  
SHEET 1 OF 1 REV A