

4

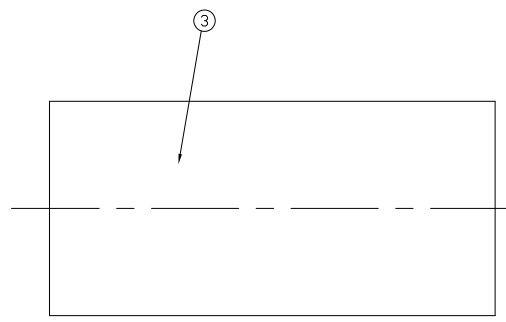
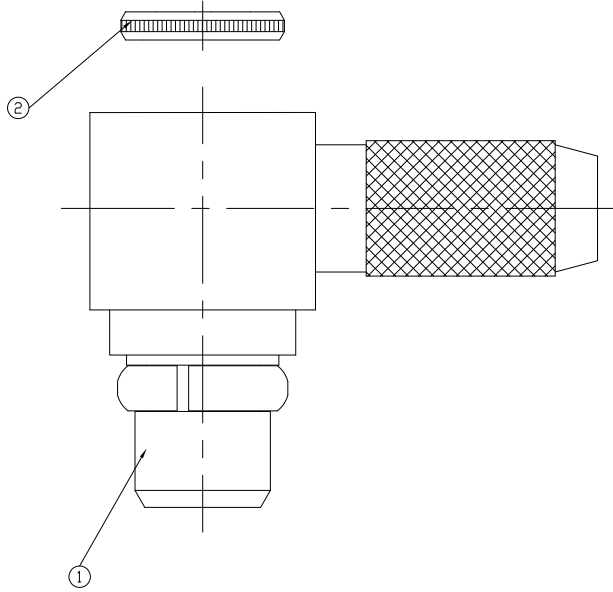
3

2

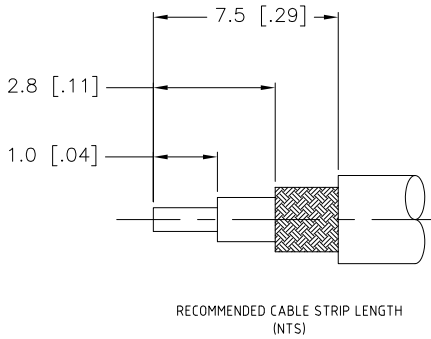
1

THIS DRAWING IS UNPUBLISHED. RELEASED FOR PUBLICATION. ALL RIGHTS RESERVED.

LOC	DIST	REVISIONS			
F	LNK	DESCRIPTION	DATE	BY	APPD
AJ	-	F1	REVISED PER ECO-11-005030	11MAR11	RK HMR



- 1. ITEMS 1, 2, 3, AND 4 PACKAGED UNASSEMBLED
- △ CRIMP REQUIREMENTS: FERRULE 2.67 [.105] HEX
- △ CRIMP REQUIREMENTS: FERRULE 3.25 [.128] HEX
- △ CRIMP REQUIREMENTS: FERRULE 3.86 [.152] HEX
- 5. ITEM 4 NOT SHOWN



DMNIFLEX 200 △	1405671-2	8-1403102-5	1408146-2	1408147-2	1408149-4
RD-316 △	---	3-413889-2	1408146-2	1408147-1	1408149-3
RG-316 △	---	3-413889-1	1408146-2	1408147-1	1408149-2
RG-178 RG-196 △	---	3-413889-3	1408146-2	1408147-2	1408149-1
CABLE CRIMP INFO	SHRINK TUBING ④	FERRULE ③	CAP ②	HOUSING ASSY ①	PART NUMBER

THIS DRAWING IS A CONTROLLED DOCUMENT. 19NDV0001

DRAWN	220C100	DATE	220C100
CHECKED	220C100	DATE	220C100
APPROVED	220C100	DATE	220C100

TE Connectivity

MMCX RIGHT ANGLE CABLE PLUG-CRIMP

PRODUCT SPEC: 108-2084
APPLICATION SPEC: 408-8627

WEIGHT: 0.86g/0.030oz

CAGE CODE: A200779
DRAWING NO: C=1408149

CUSTOMER DRAWING

SCALE: 20:1 SHEET: 1 of 1 REV: F1