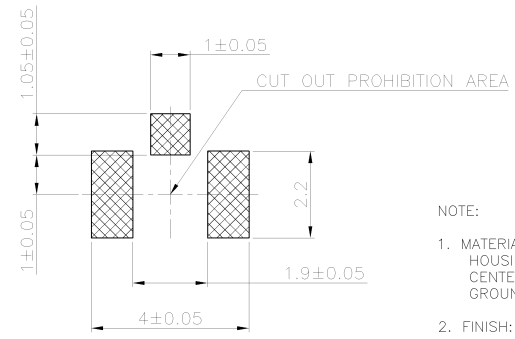
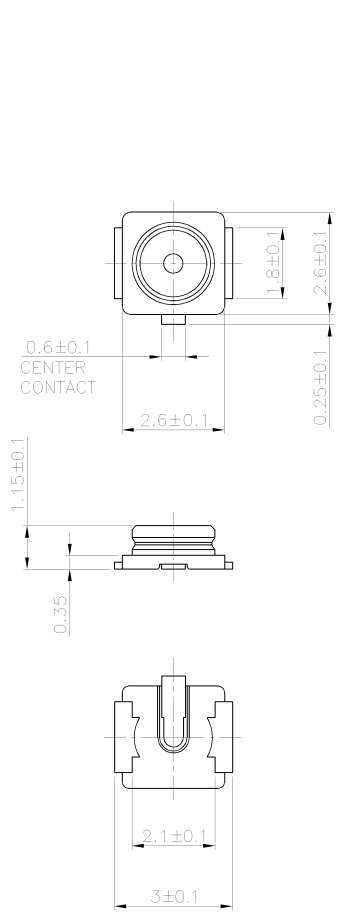


NUMBER
C-1775146



METRIC

PRINT DIST DW
THIS INFORMATION IS CONFIDENTIAL AND IS DISCLOSED TO YOU ON CONDITION THAT NO FURTHER DISCLOSURE IS MADE BY YOU TO OTHER THAN AMP PERSONNEL WITHOUT DIMENSIONS IN MILLIMETERS. DO NOT SCALE PRINT.



RECOMMENDED P.C.B PATTERN

PRODUCT HAS NOT COMPLETED QUALIFICATION TESTING

NOTE:

- MATERIAL:
HOUSING: LCP WITH 30% GF, UL 94V-0, BLACK COLOR.
CENTER CONTACT: BRASS.
GROUND CONTACT: BRASS.
- FINISH:
CONTACT: 0.03302μm [1.3μ"] GOLD PLATED OVER 1.27μm [50μ"] MIN. NICKEL ON ENTIRE CONTACT.
GROUND CONTACT: 3.81μm [150μ"] MIN. SLIVER PLATED.
- REFLOW SOLDER CAPABLE TO 260°C AS PER TYCO SPEC. 109-201, CONDITION B.
- MECHANICAL CHARACTERISTICS:
MATING/UNMATING: 30 CYCLES
- ELECTRICAL CHARACTERISTICS:
IMPEDANCE: 50 OHMS
FREQUENCY RANGE: 0-6 GHz (VSWR: 1.30 MAX DC TO 3 GHz)
OPERATING VOLTAGE: 500 VOLTS RMS
CONTACT RESISTANCE: CENTER CONTACT= 20 MILLIOHMS MAX.
GROUND CONTACT= 10 MILLIOHMS MAX.
DIELECTRIC WITHSTANDING VOLTAGE: 200 VAC FOR 1 MIN.
CURRENT LEAKAGE 2mA MAX.
INSULATION RESISTANCE: 500 MEGOHMS MIN.
- ENVIRONMENTAL CHARACTERISTICS:
TEMPERATURE RANGE: -40°C TO +90°C

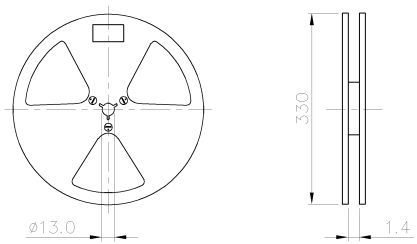
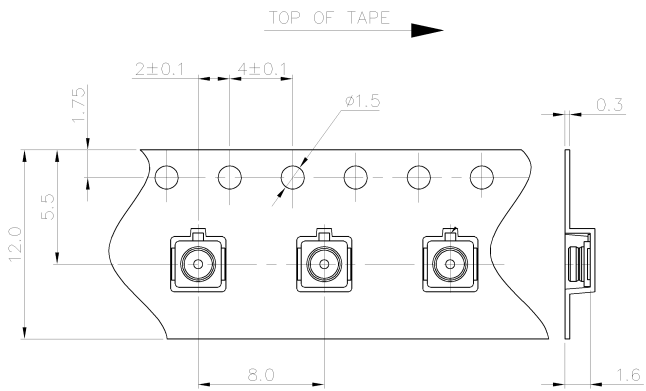
A2	ADD PACKAGING	ECR-06-023980	AW	SH	11COT
A1	ADD PACKAGING	ECR-06-023378	AW	SH	23COT
A	FIRST RELEASED	--	AW	SH	06JUN
LTR	REVISION RECORD	ECN	DWS	CHK	DATE

TOLERANCES UNLESS OTHERWISE SPECIFIED:	DWN	A. WU
0 PLC ±	CHK	11-OCT-2006
1 PLC ±0.3		S. HOU
2 PLC ±0.2		11-OCT-2006
3 PLC ±0.1		
ANGLES ±5°		
MATERIAL	APVD	W.J. KE
SEE NOTE		11-OCT-2006
	PRODUCT SPEC	
	SEE NOTE	
FINISH	QUALIFICATION TEST REPORT	
SEE NOTE	-	
	WEIGHT	
	-	

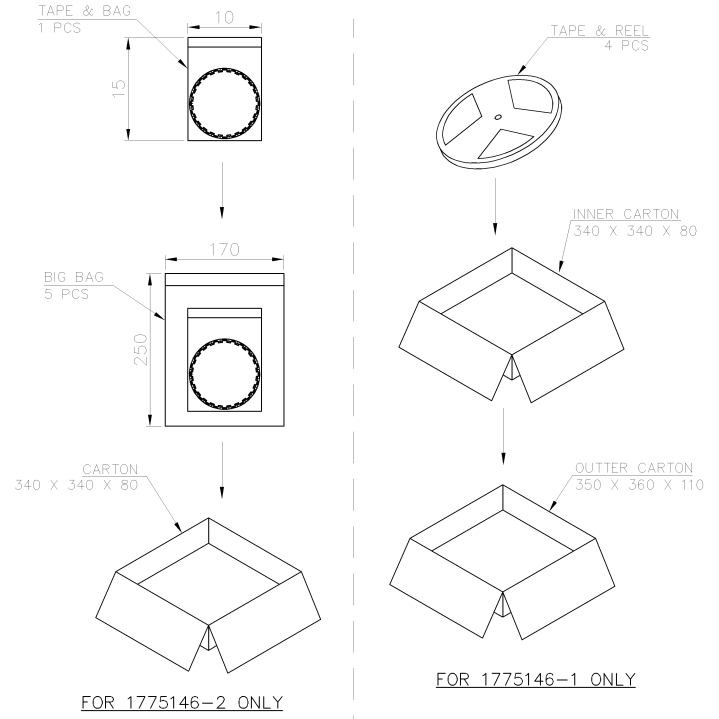
TAPE & BAG	1775146-2		
TAPE & REEL	1775146-1		
PACKAGING TYPE	PART NUMBER		
tyco TYCO HOLDINGS (BERMUDA) Electronics VII LTD. TAIWAN BRANCH NAME COAX. MICROWAVE CONNECTOR, O/D ø2.1, (MC-921)			
LOC	SIZE	DRAWING NO	REV
DW	A ₃	C-1775146	A2
SCALE	--	SHEET	1 OF 2

8 7 6 5 4 3 2 1 CUSTOMER DRAWING

NUMBER C-1775146
 METRIC
 3RD ANGLE PROJECTION



DIMENSIONS OF REEL



0.6 Kg	0.4 Kg	500	-	5	2500 PCS	1775146-2
2.5 Kg	2 Kg	2500	4	-	10000 PCS	1775146-1

GROSS WEIGHT	NET WEIGHT	PCS/TAPE	REELS /CARTON	BAG /CARTON	QUANTITY	PART NUMBER
TOLERANCES UNLESS OTHERWISE SPECIFIED:						
MATERIAL		DWN		A. WU 11-OCT-2006		
FINISH		CHK		S. HOU 11-OCT-2006		
-		APVD		W.J. KE 11-OCT-2006		
-		PRODUCT SPEC		-		
-		APPLICATION SPEC		-		
-		WEIGHT		-		
				LOC	SIZE	DRAWING NO
				DW	A ₃	C-1775146
				SCALE		REV
						A2
				SHEET 2 OF 2		

THIS INFORMATION IS CONFIDENTIAL AND IS DISCLOSED TO YOU ON CONDITION THAT NO FURTHER DISCLOSURE IS MADE BY YOU TO OTHER THAN AMP PERSONNEL WITHOUT DIMENSIONS IN MILLIMETERS. DO NOT SCALE PRINT.

PRINT DIST DW

SEE SHEET 1	ECN	DATE
LTR	REVISION RECORD	DATE

CUSTOMER DRAWING