

4

3

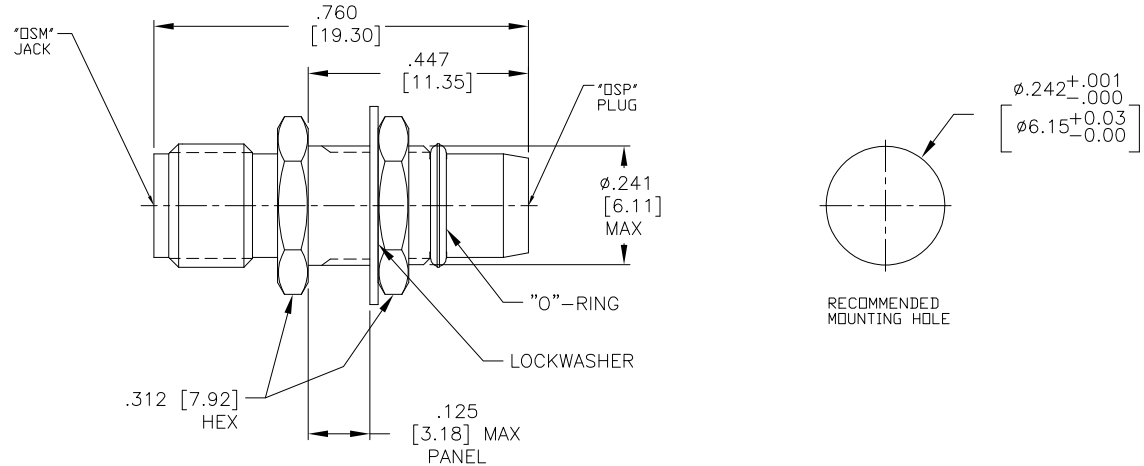
2

1

THIS DRAWING IS UNPUBLISHED. RELEASED FOR PUBLICATION - N/A .
 © COPYRIGHT N/A BY TYCO ELECTRONICS CORPORATION. ALL RIGHTS RESERVED.

LOC	DIST	REVISIONS				
P	LTR	DESCRIPTION	DATE	DWN	APVD	
DF	XO	A	RELEASED	6-22-05	CT	FB

COMPONENT	MATERIAL	FINISH
HOUSING MOUNTING NUT LOCKWASHER	STAINLESS STEEL PER ASTM-A484 AND ASTM-A582, TYPE 303	PASSIVATE PER ASTM-A-380
DIELECTRIC	TFE FLUOROCARBON PER ASTM-D-1457	N/A
CENTER CONTACT	BERYLLIUM COPPER PER ASTM-B-196 OR ASTM-B-197, ALLOY C17300, CONDITION H	GOLD PLATE PER ASTM-B-488
O-RING	FLOURSILICONE PER MIL-R-25988, CLASS I, TYPE I.	N/A



1. CAPTURED CENTER CONTACT
2. FREQUENCY RANGE (GHz): DC TO 18 GHz
3. VSWR: 1.05+ .005f(GHz)
4. INSERTION LOSS: (dB MAX): 0.6 √f(GHz)

1757459-1
 PART NUMBER

THIS DRAWING IS A CONTROLLED DOCUMENT.		DWN C.C.THOMAS 6-22-05	AMP Tyco Electronics Corporation Harrisburg, Pa 17105-3608	
DIMENSIONS: INCHES [mm]		CHK F.BLASICK 6-22-05	NAME OSM JACK TO OSP BULKHEAD FEED-THRU PLUG ADAPTER	
TOLERANCES UNLESS OTHERWISE SPECIFIED:		APVD F.BLASICK 6-22-05	RESTRICTED TO	
0 PLC ± -	1 PLC ± -	PRODUCT SPEC	SIZE CAGE CODE DRAWING NO	
2 PLC ± -	3 PLC ± .005 (0.13)	APPLICATION SPEC	A300779 C=1757459	
4 PLC ± -	ANGLES ± -	WEIGHT	SCALE 5:1 SHEET 1 OF 1 REV A	
MATERIAL SEE TABLE	FINISH SEE TABLE	CUSTOMER DRAWING		