

4

3

2

1

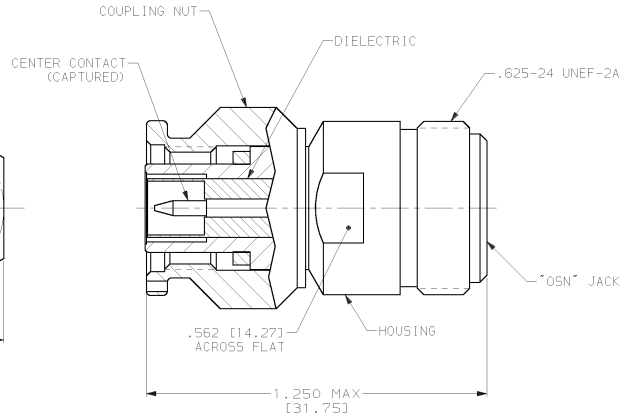
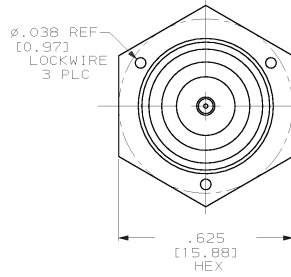
THIS DRAWING IS UNCLASSIFIED
 (C) COPYRIGHT IS BY AMP INCORPORATED. ALL RIGHTS RESERVED.

REV. NO.	DATE	BY	APP'D	DESCRIPTION
0	9-01	CT	RG	RELEASED

COMPONENT	MATERIAL	FINISH
HOUSING	STAINLESS STEEL PER ASTM-A-304 OR ASTM-A-502 TYPE 303	PASSIVATED PER 00-P-35
COUPLING NUT	-	-
DIELECTRIC	PTFE FLUOROCARBON PER ASTM-D-1457	-
CENTER CONTACT	BERYLLIUM COPPER PER ASTM-B-196 OR ASTM-B-197 ALLOY C17300, CONDITION H	GOLD PLATED PER ASTM-B-488

ELECTRICAL

NORMAL IMPEDANCE (OHMS):	50
FREQUENCY RANGE (GHz):	DC TO 18.0
VOLT RATING @ SEA LEVEL (VRMS MAX):	500
VSWR:	1.17:1 MAX
INSERTION LOSS: (dB MAX):	0.4
RF HIGH POTENTIAL VOLTAGE:	1,000 Vrms MIN
INSULATION RESISTANCE:	5,000 MegaOhm MIN
WORKING VOLTAGE:	500 Vrms @ SEA LEVEL
DWV:	1,500 Vrms MIN AT SEA LEVEL
CORONA LEVEL:	375 V MIN AT 20,000 FEET
TEMPERATURE RATING:	-65°C TO +165°C



1484244-1

PART NO.

DIMENSIONS		TOLERANCES UNLESS OTHERWISE SPECIFIED		FINISH		MATERIAL	
INCHES	(mm)	FRACTIONAL	DECIMAL	PLC	PLC	SEE TABLE	SEE TABLE
		±	±	±	±		
		±	±	±	±		
		±	±	±	±		
		±	±	±	±		
		±	±	±	±		

AMP Tyco Electronics Corporation
 Harrisburg, PA 17105-3608

05N JACK TO 05T PLUG ADAPTER

SCALE: 4:1 SHEET 1 OF 1 REV 0