

4

3

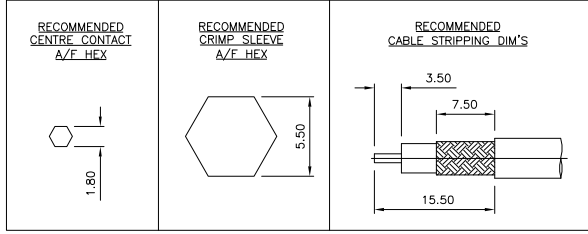
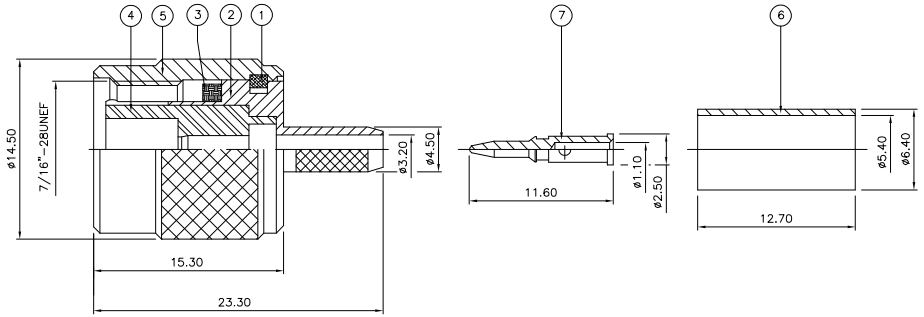
2

1

THIS DRAWING IS UNPUBLISHED. RELEASED FOR PUBLICATION FEB .2006.  
 © COPYRIGHT 2006 BY TYCO ELECTRONICS CORPORATION. ALL RIGHTS RESERVED.

LOC	DIST	REVISIONS			
P	LTR	DESCRIPTION	DATE	DWN	APVD
C		ECR-06-002568	15FEB06	JMS	FWK

- NOTES:**
- 1. PACK IN ACCORDANCE WITH AMP SPEC 107-3275
  - 2. 100 TRAY PACK IN ACCORDANCE WITH AMP SPEC 107-3275
  - 3. Au PLATING
  - 4. Ni PLATING
  - 5. THIS ITEM MUST BE WHITE
  - 6. HAND TOOL : 9-1478240-0
  - 7. DIE SET : 9-1478242-0
  - 8. **ELECTRICAL CHARACTERISTICS**
    - FREQUENCY RANGE: DC - 11 GHz
    - NOMINAL IMPEDANCE: 50 Ohm
    - INSULATION RESISTANCE: 5000 MOhm
    - WORKING VOLTAGE: 500 Volts RMS at Sea Level
    - DIELECTRIC WITHSTAND VOLTAGE: 1500 Volts RMS Max
    - CONTACT RESISTANCE: 1.50 mOhm Max
    - CENTRE CONTACT: 1.00 mOhm Max
    - OUTER CONTACT: 1.30:1 Max
    - VSWR @ 4GHz: 1.20 Max
    - INSERTION LOSS dB @ x 3 GHz: 0.20 Max
  - 9. **MECHANICAL CHARACTERISTICS**
    - COUPLING NUT RETENTION FORCE: 445N Min
    - CABLE RETENTION FORCE: 170N Min
    - DURABILITY: 500 Cycles Min
  - 10. **ENVIRONMENTAL CHARACTERISTICS**
    - OPERATING TEMPERATURE: -65 to +165 DegC



QTY	1	1	MATERIAL	DESCRIPTION	ITEM
	1	1	BRASS	CONTACT	7
	1	1	BRASS	FERRULE	6
	1	1	BRASS	COUPLING NUT	5
	1	1	PTFE	INSULATION	4
	1	1	SILICONE RUBBER	GASKET	3
	1	1	BRASS	BODY	2
	1	1	BRASS	CIRCLIP	1
	6	1	MATERIAL	DESCRIPTION	ITEM

THIS DRAWING IS A CONTROLLED DOCUMENT.

DWN J. SANDWELL 15FEB06	15FEB06	Tyco Electronics Corporation Bideford EX39 4HE
CHK S. PARLOW 15FEB06	15FEB06	
APVD F. WHEELER-KING 15FEB06	15FEB06	
DIMENSIONS: mm TOLERANCES UNLESS OTHERWISE SPECIFIED: 0 PLC ± .10 1 PLC ± .10 2 PLC ± .10 3 PLC ± .10 4 PLC ± .10 ANGLES ± .5°		NAME: TNC STRAIGHT PLUG CRIMP 50 OHM RG58C/U, 141A/U, URM43, 76 & BELDEN 9907, KX15 SIZE: A3 CAGE CODE: 00779 DRAWING NO: 1337613 WEIGHT: - RESTRICTED TO: -
MATERIAL: SEE TABLE FINISH: -		APPLICATION SPEC: 411-3247 CUSTOMER DRAWING: - SCALE: NTS SHEET 1 OF 1 REV C