

4

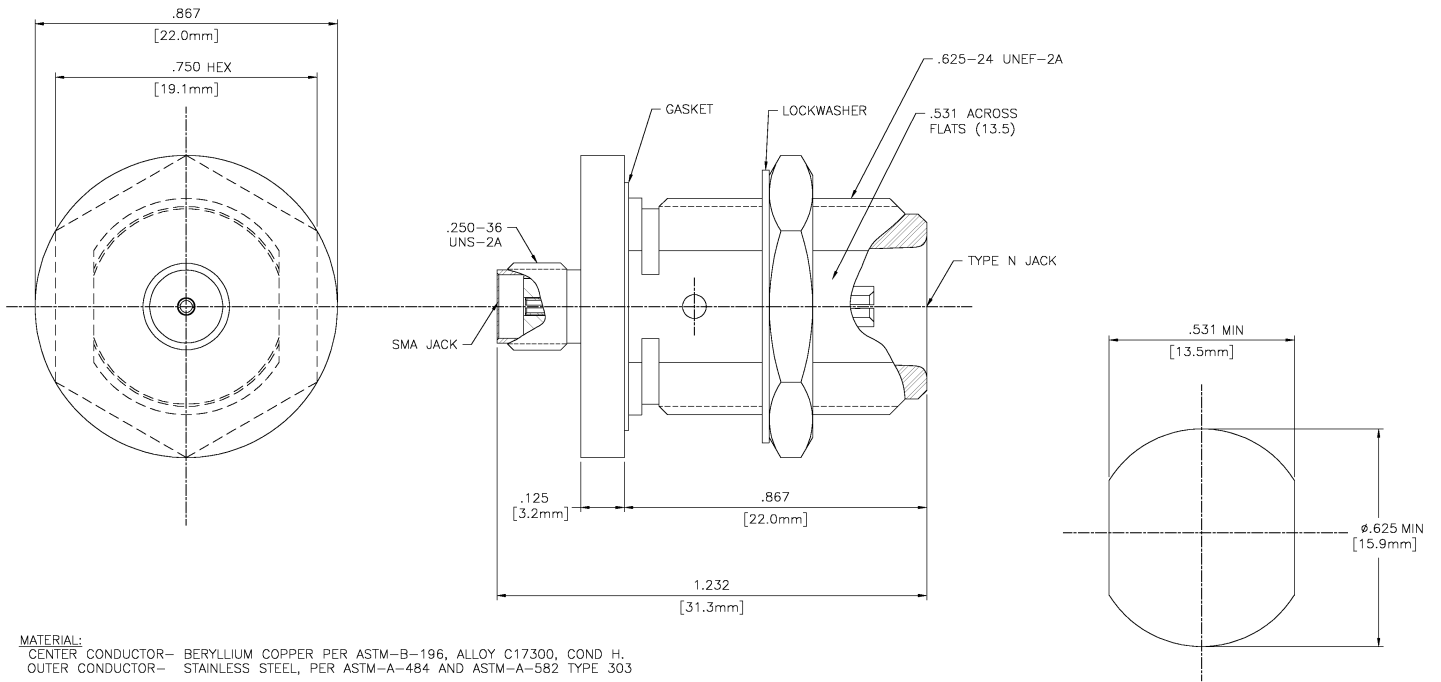
3

2

1

THIS DRAWING IS UNPUBLISHED. RELEASED FOR PUBLICATION  
 © COPYRIGHT BY TYCO ELECTRONICS CORPORATION. ALL RIGHTS RESERVED.

LOC		DIBT		REVISIONS			
P	LN	DESCRIPTION	DATE	BY	APPD		
0		RELEASED ON TYCO FORMAT	25APR03	GV	DC		



**MATERIAL:**  
 CENTER CONDUCTOR- BERYLLIUM COPPER PER ASTM-B-196, ALLOY C17300, COND H.  
 OUTER CONDUCTOR- STAINLESS STEEL, PER ASTM-A-484 AND ASTM-A-582 TYPE 303

DIELECTRIC- TEFLON PER ASTM-D-1457

**PLATING:**  
 INNER CONDUCTOR- GOLD PER MIL-G-45204  
 OUTER CONDUCTOR- PASSIVATED PER QQ-P-35

RECOMMENDED MOUNTING HOLE

THIS DRAWING IS A CONTROLLED DOCUMENT.		DW: G. VICERA 25APR03	<b>tyco</b> Electronics	Tyco Electronics Corporation Harrisburg, PA 17105-3508			
DIMENSIONS: INCHES		CHK: J. CAMELID 24APR03		SMA JACK TO TYPE N JACK ADAPTER BULKHEAD FEEDTHROUGH (3684-2240-00)			
TOLERANCES UNLESS OTHERWISE SPECIFIED:		APPD: J. CAMELID 24APR03	NAME:	SIZE: A2	CAGE CODE: 00779	DRAWING NO: 1058675-1	RESTRICTED TO:
Ø PLG ± .005 PLG ± .005 PLG ± .005 PLG ± .005 ANGLES ± .5°		APPLICATION SPEC:	WEIGHT:	SCALE: 5:1	SHEET: 1 OF 1	REV: 0	
MATERIAL: - FINISH: -		CUSTOMER DRAWING					