

4

3

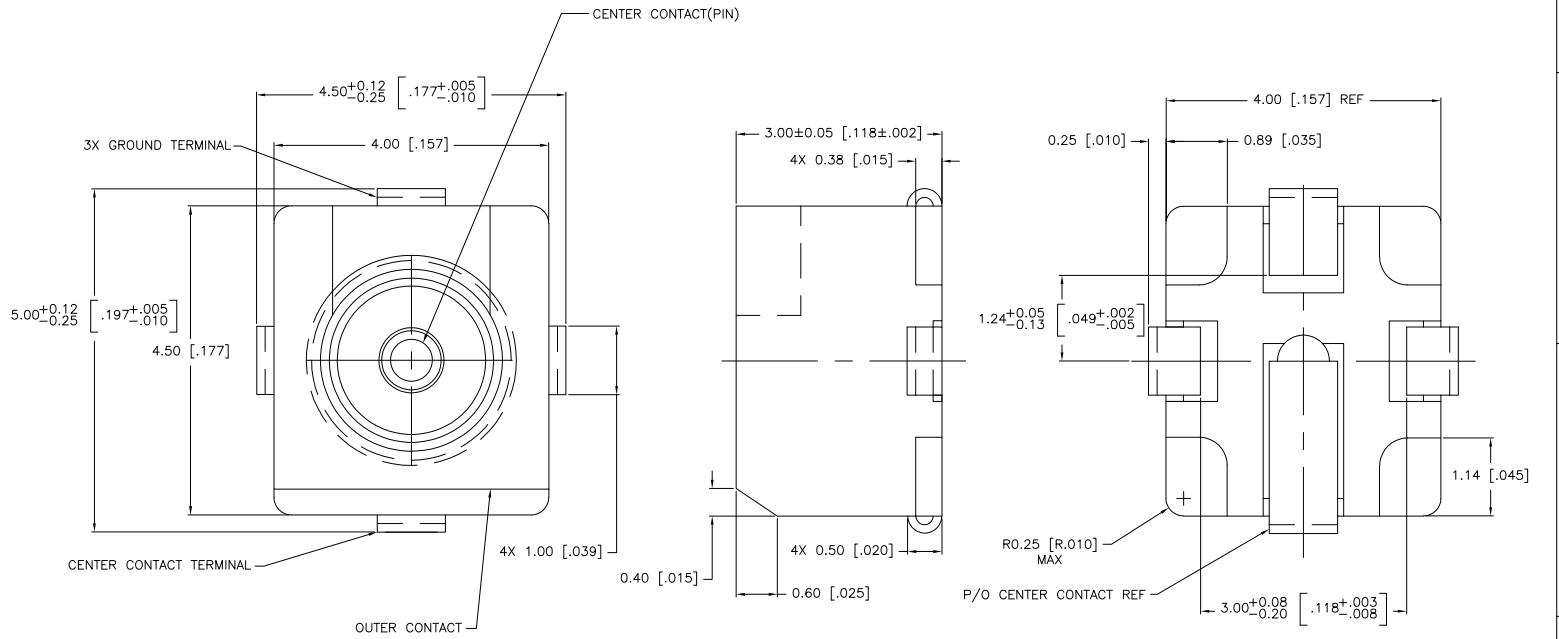
2

1

THIS DRAWING IS UNPUBLISHED. RELEASED FOR PUBLICATION
 © COPYRIGHT BY TYCO ELECTRONICS CORPORATION. ALL RIGHTS RESERVED.

LOC	DIST	REVISIONS					
		F	LTR	DESCRIPTION	DATE	BY	APPD
AJ	17	B		REDRAWN PER EC OS14-0016-05	26JAN05	BM	KW

- MATERIAL:
HOUSING: POLYPHENYLENE SULFIDE.
CONTACTS: COPPER ALLOY CDA752.
- FINISH:
CONTACTS: GOLD PLATE OVER DUCTILE NICKEL PLATE.



1055690-1
PART NUMBER

THIS DRAWING IS A CONTROLLED DOCUMENT.		DWG P/P	10/12/94	Tyco Electronics Corporation Harrisburg, Pa 17105-3608
DIMENSIONS: mm(INCHES)		CHK		
TOLERANCES UNLESS OTHERWISE SPECIFIED:		APPD P/P	10/12/94	NAME
0 PLG ± .01		PRODUCT SPEC		STRAIGHT OSMT PCB MOUNT PLUG RECEPTACLE
1 PLG ± .01		APPLICATION SPEC		RESTRICTED TO
2 PLG ± .01		WEIGHT		
3 PLG ± 0.13(0.005)		CUSTOMER DRAWING	SCALE 25:1	SHEET 1 OF 2
4 PLG ± .01				REV B
ANGLES ± .1				
FINISH				

AMP 1471-9 REV 31MM2000

4

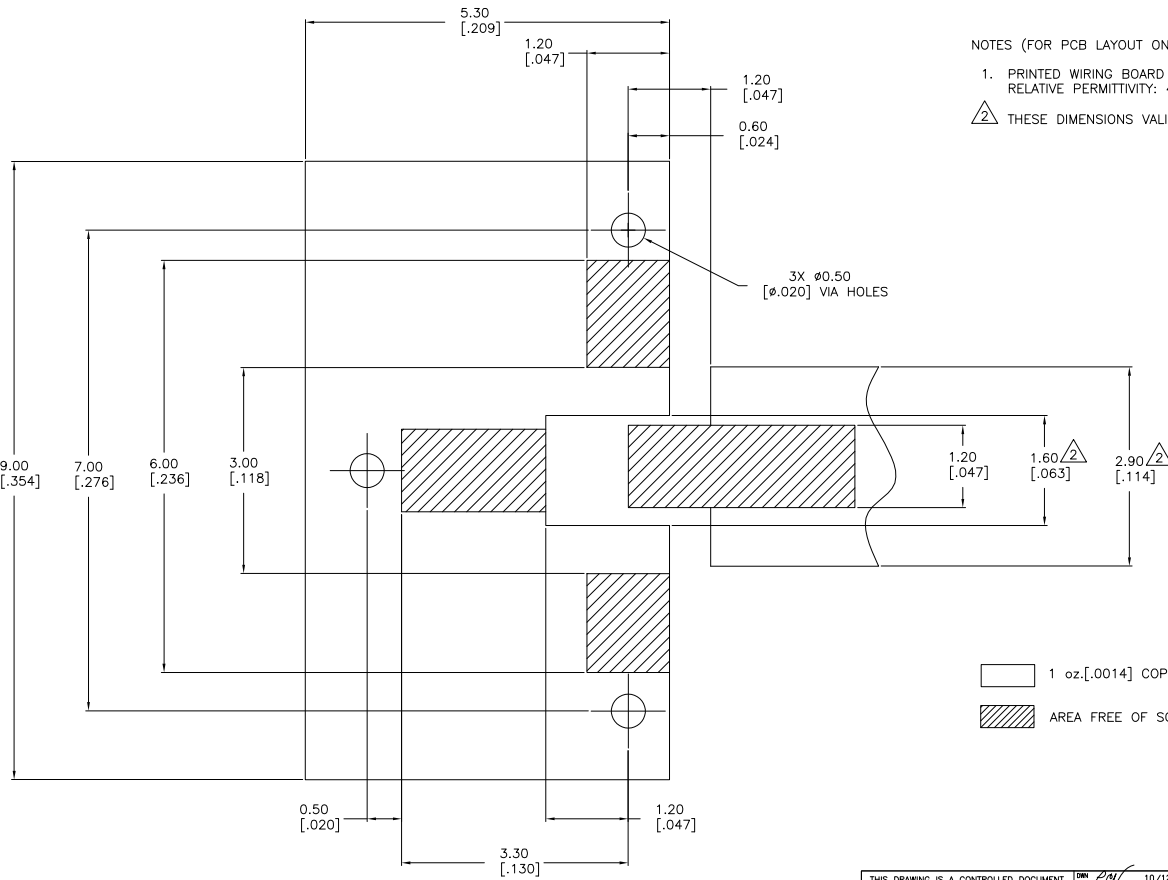
3

2

1

THIS DRAWING IS UNPUBLISHED. RELEASED FOR PUBLICATION
 © COPYRIGHT BY TYCO ELECTRONICS CORPORATION. ALL RIGHTS RESERVED.

LOC	DIST	REVISIONS		
F	LR	DESCRIPTION	DATE	BY
AJ	17	SEE SHEET 1	-	-



NOTES (FOR PCB LAYOUT ONLY):
 1. PRINTED WIRING BOARD MATERIAL: GLASS EPOXY, FR-4 OR SIMILAR, RELATIVE PERMITTIVITY: 4.8oz. COPPER CLAD BOTH SIDES.
 THESE DIMENSIONS VALID FOR 1.60[.062] BOARD THICKNESS.

1 oz.[.0014] COPPER
 AREA FREE OF SOLDER MASK

RECOMMENDED MOUNTING PATTERN FOR MICROSTRIP LINE

THIS DRAWING IS A CONTROLLED DOCUMENT.		DATE: 10/12/94	TYCO Electronics Tyco Electronics Corporation Harrisburg, Pa 17105-3608	
DIMENSIONS: mm[INCHES]	TOLERANCES UNLESS OTHERWISE SPECIFIED:	DATE: 10/12/94	NAME: STRAIGHT OSMT PCB MOUNT PLUG RECEPTACLE	
0 PLG ± .010	1 PLG ± .010	PRODUCT SPEC: -	SIZE: A2	CAGE CODE: 00779
2 PLG ± .010	3 PLG ± .010	APPLICATION SPEC: -	DRAWING NO: C=1055690	RESTRICTED TO: -
4 PLG ± .010	ANGLES ± .1°	WEIGHT: -	SCALE: 25:1	SHEET: 2 OF 2
MATERIAL: -	FINISH: -	CUSTOMER DRAWING	REV: B	

AMP 1471-9 REV 31MM2000

1055690

A