

4

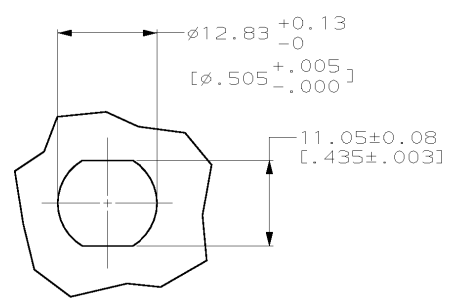
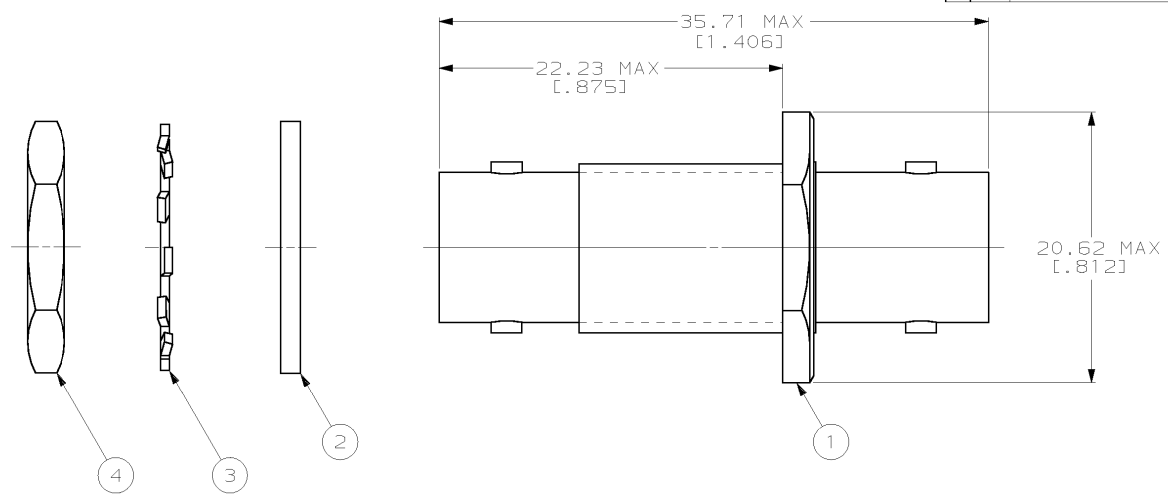
3

2

1

THIS DRAWING IS UNPUBLISHED. RELEASED FOR PUBLICATION .19 . . .  
 © COPYRIGHT 19 BY AMP INCORPORATED. ALL RIGHTS RESERVED.

LOC	DIST	REVISIONS					
AJ	16	P	LTR	DESCRIPTION	DATE	DWN	APVD
				C	REV PER 0U20-0200-01	04APR01	MO JL



MAXIMUM PANEL THICKNESS: 3.18 [.125]  
 SUGGESTED PANEL CUT-OUT  
 SCALE 2:1

329631	329632	329633	332213	332215
JAM NUT ④ QTY=1	LOCKWASHER ③ QTY=1	GASKET ② QTY=1	ADAPTOR ASSY ① QTY=1	PART NUMBER

THIS DRAWING IS A CONTROLLED DOCUMENT.		DWN	M. OBRINE	06.JUL.99
DIMENSIONS:		CHK	J. HAVENER	06.JUL.99
mm (INCHES)	TOLERANCES UNLESS OTHERWISE SPECIFIED:	APVD	J. HAVENER	06.JUL.99
0 PLC ±-	1 PLC ±-	NAME	ADAPTER, SERIES TWIN BNC, FEED-THRU JACK	
2 PLC ±-	3 PLC ±-	PRODUCT SPEC	SIZE	A3
4 PLC ±-	ANGLES ±-	APPLICATION SPEC	CAGE CODE	00779
MATERIAL	FINISH	WEIGHT	DRAWING NO	C-332215
-	-	CUSTOMER DRAWING	SCALE	4:1
			SHEET	1 OF 1
			REV	C