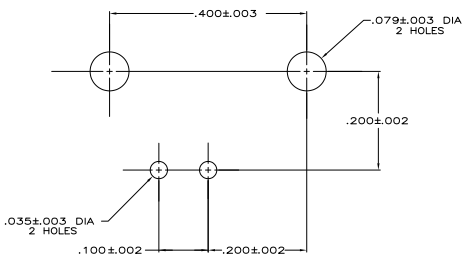
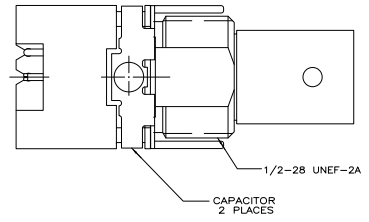


THIS DRAWING IS UNPUBLISHED. REPRODUCED FOR INFORMATION. ALL RIGHTS RESERVED.

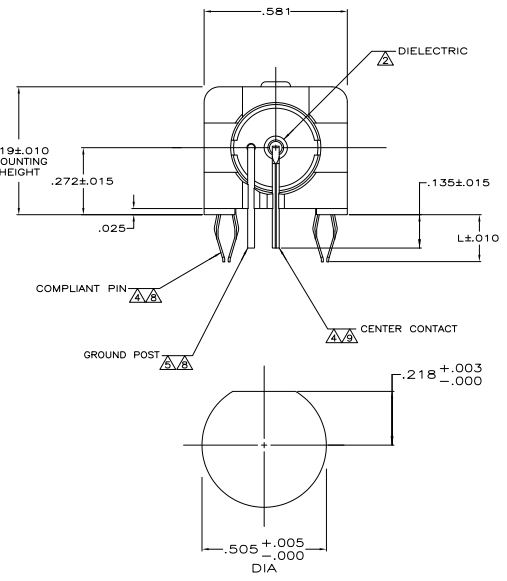
REV	DATE	DESCRIPTION	BY	APP'D
AJ 16				
B		REV PER ECO 08-09474		



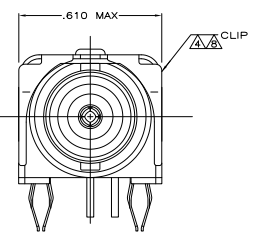
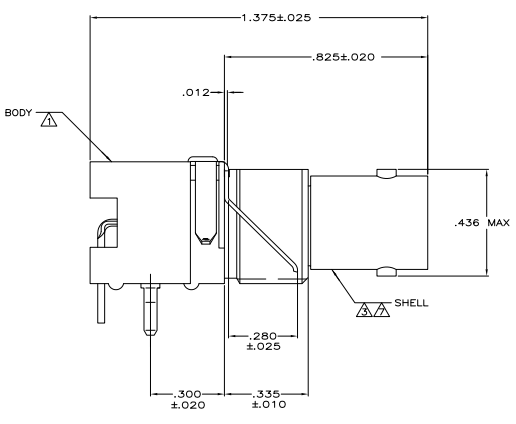
P.C.B. CONFIGURATION  
SCALE=10:1



- ▲ POLYESTER, PCT, BLACK, 30% GLASS FILLED
- ▲ POLYMETHYLPENTENE, GENERAL PURPOSE
- ▲ ZINC PER QQ-Z-363
- ▲ PHOSPHOR BRONZE PER QQ-B-750
- ▲ BRASS PER ASTM-B-16
- ▲ BRASS PER ASTM-B-453
- ▲ NICKEL PL PER QQ-N-290
- ▲ TIN PLATE PER ASTM-B-545
- ▲ SELECTIVELY GOLD PLATED ON INTERFACE AREA PER ASTM-B-488, .000030 THK, TIN PLATE ON SOLDER TAIL PER ASTM-B-545, ALL OVER NICKEL PLATE PER QQ-N-290



RECOMMENDED PANEL CUTOUT



110	9400 pf, 500 VDC	5414284-2
L	CAPACITANCE & VOLTAGE	PART NO

THIS DRAWING IS A CONTROLLED DOCUMENT.		ALCOENTA - 00000000		Trio Electronics Corporation	
DESIGNED BY	DESIGNED DATE	DESIGNED BY	DESIGNED DATE	DESIGNED BY	DESIGNED DATE
108-1269					
JACK, DECOUPLER, RIGHT ANGLE, LOW PROFILE, SERIES BNC			REVISED TO		
A100779			5414284		
CUSTOMER DRAWING			REVISED TO		