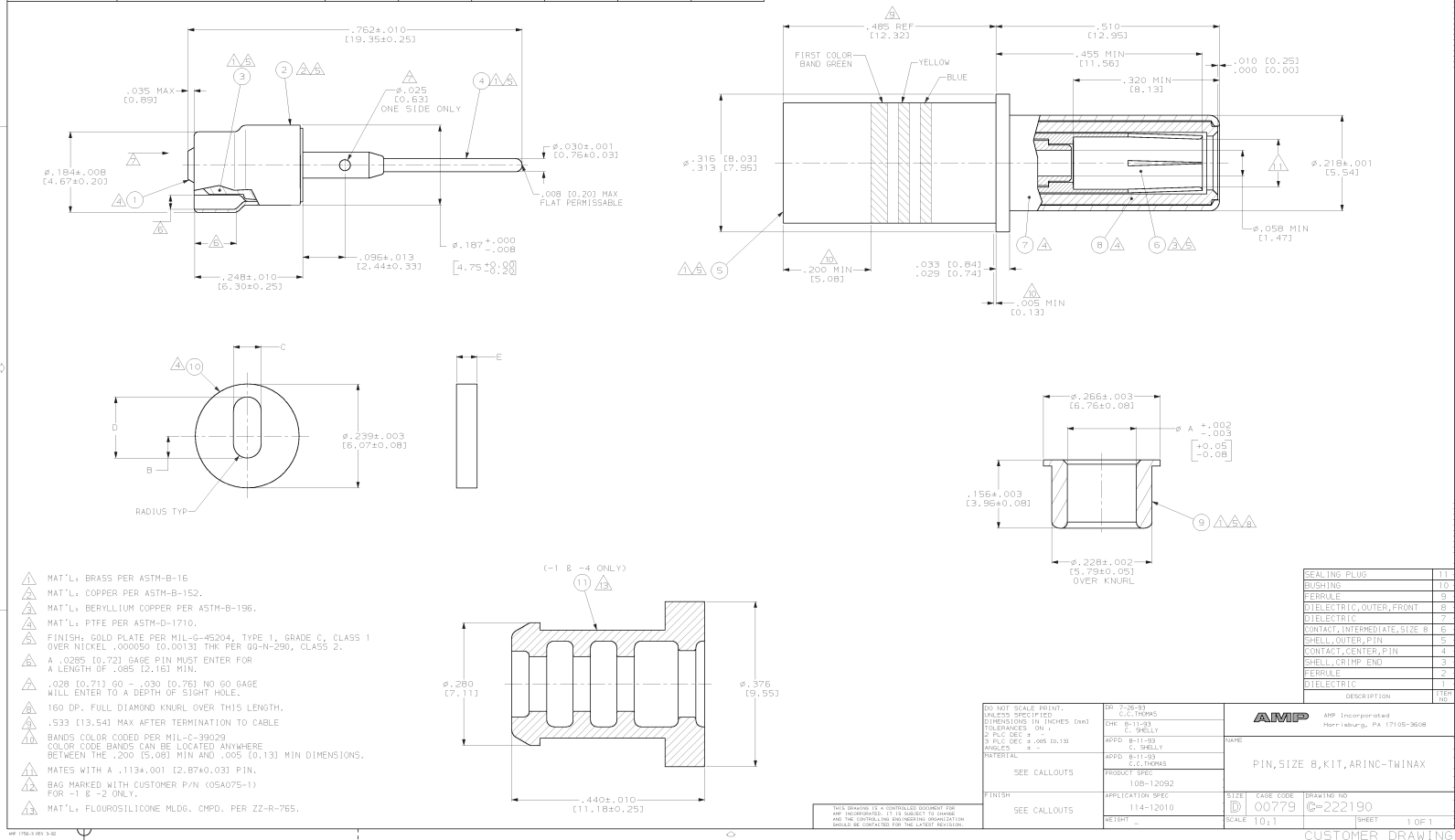


PART NO	CABLE	DIM A	DIM B	DIM C	DIM D	DIM E	REMARKS
222190-1	M17-176-00002, NORTHROP 05A078-1	.143 (3.63)	.032 (0.81)	.054 (1.37)	.112 (2.84)	.047 (1.19)	▲
222190-2	M17-176-00002, NORTHROP 05A078-1	.143 (3.63)	.032 (0.81)	.054 (1.37)	.112 (2.84)	.047 (1.19)	▲
222190-3	TENSALITE 24483880177-0100 (3088381E)	.157 (3.99)	.050 (1.27)	.063 (1.60)	.140 (3.56)	.052 (1.32)	-
222190-4	M17-176-00002, NORTHROP 05A078-1	.143 (3.63)	.032 (0.81)	.054 (1.37)	.112 (2.84)	.047 (1.19)	-

REV	DF	XO	BY	DATE	REV PER	DESCRIPTION	DATE	APP
0					REV PER	0330-0579-00	01	1-01



DO NOT SCALE PRINT, UNLESS SPECIFIED. DIMENSIONS IN INCHES (MM) P.S. DIMENSIONS ON 4 P.P.C. DEC. # .005 (0.13) MILLIMETERS # .	DR 7-26-83 C. L. THOMS	AMP Incorporated Harrisburg, PA 17105-9608
SEE CALLOUTS	APPD 8-11-83 C. SHELLY	
FINISH: SEE CALLOUTS	APPLICATION SPEC: 114-12010	NAME: PIN, SIZE 8, KIT, ARINC-TWINAX SIZE: 00779 SCALE: 10:1