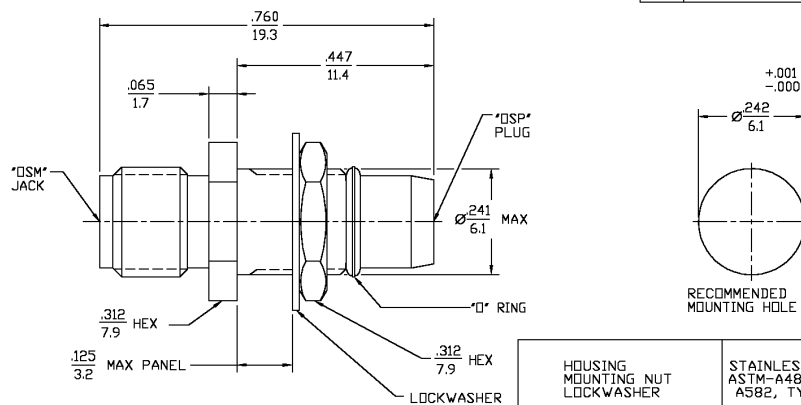


| REVISIONS |                              |                |           |
|-----------|------------------------------|----------------|-----------|
| REV       | DESCRIPTION                  | DATE           | APPROVED  |
| 01        | RELEASED                     | 1/15/97        | <i>pa</i> |
| B         | REVISED PER ECN 0020-0262-01 | GV<br>01/06/03 | JGH       |



|                                 |  |                            |
|---------------------------------|--|----------------------------|
| HOUSING MOUNTING NUT LOCKWASHER | STAINLESS STEEL PER ASTM-A484 AND ASTM-A582, TYPE 303                    | PASSIVATE PER QQ-P-35      |
| DIELECTRIC                      | TFE FLUOROCARBON PER ASTM-D-1457   | N/A                        |
| CENTER CONTACT                  | BERYLLIUM COPPER PER ASTM-B-196 OR ASTM-B-197, ALLOY C17300, CONDITION H | GOLD PLATE PER MIL-G-45204 |
| O-RING                          | FLUOROSILICONE PER MIL-R-25988, CLASS I, TYPE I.                         | N/A                        |

| COMPONENT   | MATERIAL | FINISH  |
|---|----------|---|
| UNLESS OTHERWISE SPECIFIED DIMENSIONS ARE IN INCHES |          |   |
| DRAWN BY: <i>pa</i> DATE: 12/18/96                  |          | AMP Incorporated<br>140 Fourth Avenue<br>Waltham, MA 02451-7599 |
| CHECKED BY: <i>pa</i>                               |          |   |
| APP'D BY: <i>pa</i> DATE: 1/15/97                   |          |   |
| USE ASS'Y PROCEDURE                                 |          | TITLE: DSM JACK TO OSP BULKHEAD FEEDTHROUGH PLUG ADAPTER        |
| MATERIAL: N/A                                       |          | SIZE: B CODE IDENT. NO.: 26805                                  |
| NO. AP. N/A   |          | 4585-4030-02 REV 01   |
| SCALE: 5:1  |          | N/A SHEET 1 OF 1  |

NOTE:  
1. CAPTURED CENTER CONTACT

.XXX = in  
XX.X = mm (REF)

CUSTOMER DRAWING

AMP PART # 1083442-1  
SHEET 1 OF 1 REV B