

4

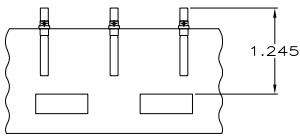
3

2

1

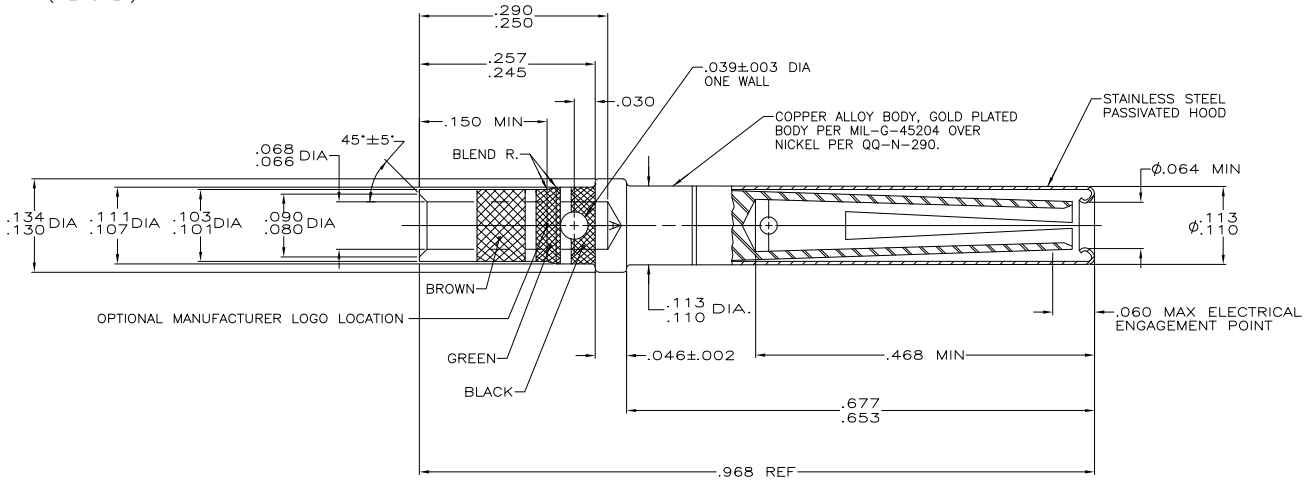
THIS DRAWING IS UNPUBLISHED. RELEASED FOR PUBLICATION. BY TYCO ELECTRONICS CORPORATION. ALL RIGHTS RESERVED.

LOC		DIST		REVISIONS			
DF	AO	P	LTR	DESCRIPTION	DATE	MIN	APD
		L		REV PER EC 0414-0154-04	24JAN06	TK	CT



TAPE MOUNTED ASSEMBLY (-2 ONLY)

- 205117-1 1. AS SHOWN
- 205117-2 1. SAME AS -1 EXCEPT: MOUNTED ON MYLAR TAPE.
- 205117-3 1. SAME AS -1 EXCEPT: COLOR CODE TO BE SINGLE BLUE BAND.



- WHEN ORDERING CONTACT ON TAPE, ORDER BY THE TAPE NUMBER PLUS THE PACKAGING CODE AS FOLLOWS:
 - FOR USE WITH AMP TAPETRONIC, PNEUMATIC TOOL—
 - 1000 PARTS TO A BOX ADD PACKAGING CODE: 1MBOX
 - FOR USE WITH 4/8 INDENT STRIPPER CRIMPER—
 - 1000 PARTS TO A REEL ADD PACKAGING CODE: 1MREEL
 - 5000 PARTS TO A REEL ADD PACKAGING CODE: 5MREEL
- POINT OF PLATING THICKNESS MEASUREMENT .100/.150 FROM WIRE BARREL END EXTERIOR.

THIS DRAWING IS A CONTROLLED DOCUMENT.		DIM J. LINDERMAN 3-24-93 CHK A. SHARPE 3-26-93 APPD — PRODUCT SPEC — APPLICATION SPEC — HEIGHT —	Tyco Electronics Tyco Electronics Corporation Harrisburg, PA 17105-3608 CONTACT ASS'Y #16 SOCKET ARINC 404 REAR RELEASE SIZE CAGE CODE DRAWING NO A200779C-205117 RESTRICTED TO —
DIMENSIONS: INCHES	TOLERANCES UNLESS OTHERWISE SPECIFIED	CUSTOMER DRAWING	
Ø F1/8 .0005 .001 .002 .005 .010 .020 .050 .100 .150 .300 .500 .0005 .001 .002 .005 .010 .020 .050 .100 .150 .300 .500	FINISH —	SCALE 10:1	SHEET 1 of 1 REV L

CUSTOMER DRAWING

AMP 1471-9 REV 31MM2000

24JAN2006 11:57am US071105_H\vdmm\205117_1_c.dwg