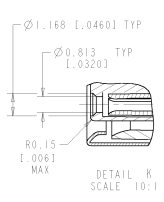
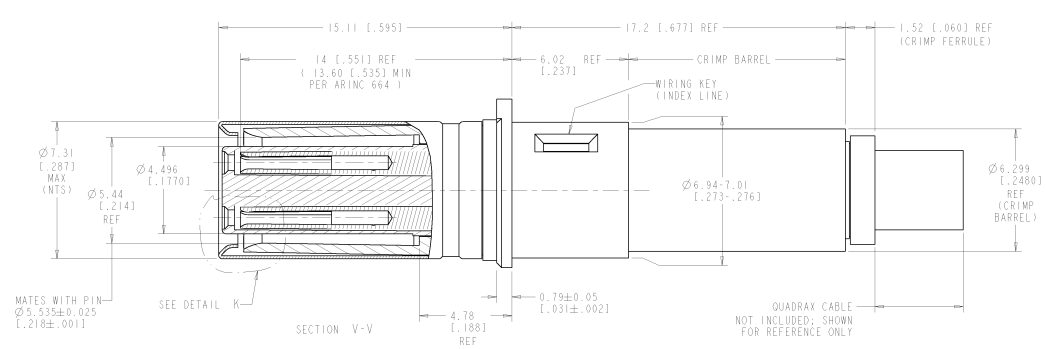
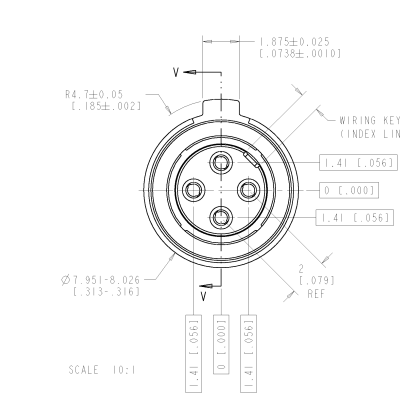


REV	DF	DATE	DESCRIPTION	BY	CHKD	APPD
01	AS		REVISED PER ECO-11-005000	2669H11	RK	HMR

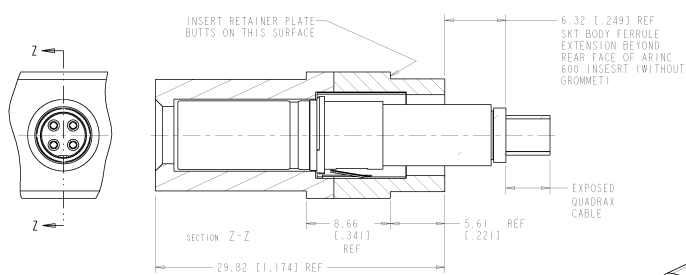
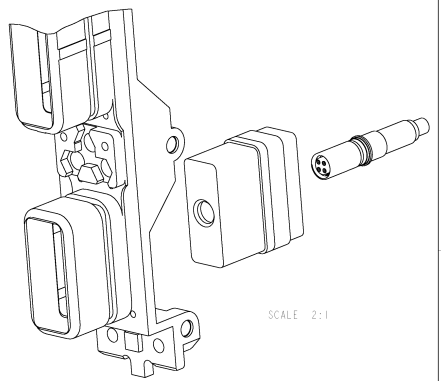
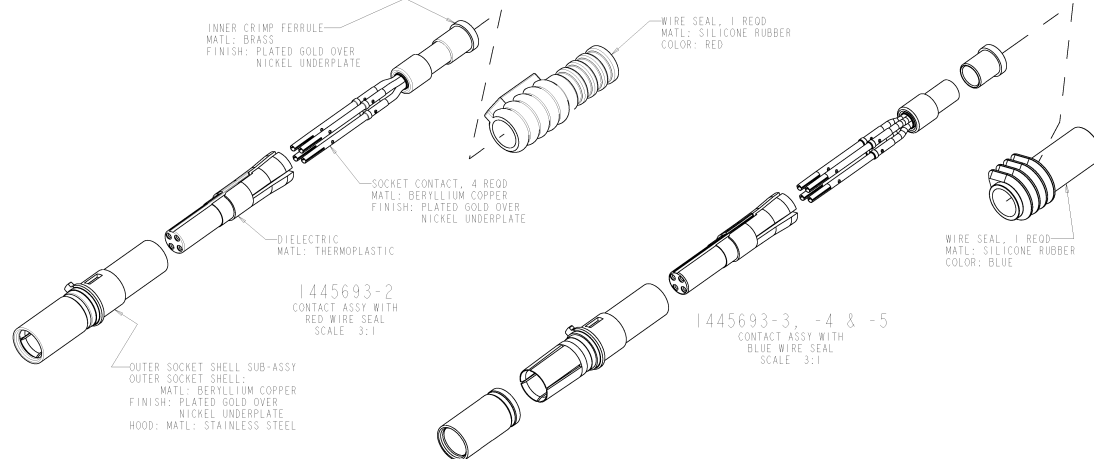


- COMPONENTS ARE PACKAGED IN KIT FORM. CABLE MUST BE PURCHASED SEPARATELY.
 - ASSEMBLY PER APPLICATION SPECIFICATION 114-13123.
 - USE INSERTION-EXTRACTION TOOL 1738894-1.
- ▲ TENSOLITE NF240100 OR EQUIVALENT
▲ DRAKA F4704-4 OR EQUIVALENT

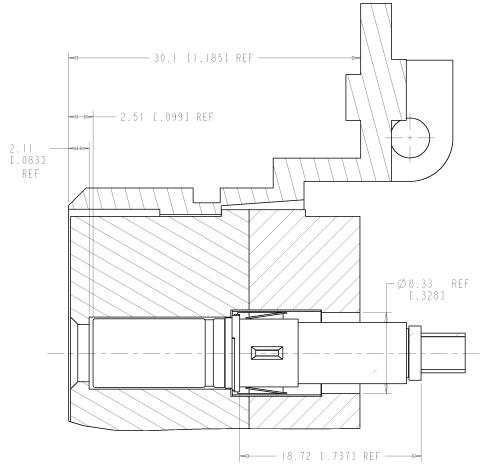
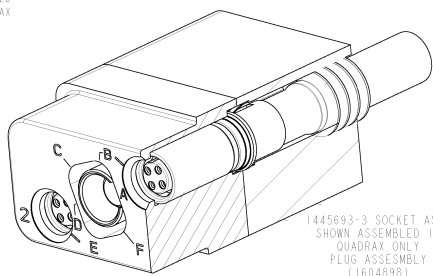
RECOMMENDED CABLE	CUSTOMER PART NUMBER	SEAL COLOR	DESCRIPTION	PART NO.
			AS SHOWN WITHOUT WIRE SEAL	1445693-6
		BLUE	AS SHOWN WITH WIRE SEAL	1445693-5
	BACC476BI	BLUE	SAME AS -1 EXCEPT WITH WIRE SEAL	1445693-4
	---	BLUE	SAME AS -1 EXCEPT WITH WIRE SEAL	1445693-3
	---	RED	SAME AS -1 EXCEPT WITH WIRE SEAL	1445693-2
	---	--	AS SHOWN; WITHOUT WIRE SEAL	1445693-1

MATERIAL: FINISH: PART: QUANTITY: ORDER: DATE: BY: CHECKED: APPROVED:	DATE: 23 JUN 2004 DRAWN BY: CHECKED BY: APPROVED BY: PART NO: REV: CUSTOMER SPEC: REVISION: CUSTOMER DRAWING:	STE TE Connectivity ASSEMBLY SOCKET, QUADRAx, 2mm SO, AIRCRAFT DATA NETWORK, RR/RR WITH SOCKET CONTACTS PART: 1445693 REV: 1
---	---	--

8	7	6	5	4	3	2	1
REV. 001	REV. 002	REV. 003	REV. 004	REV. 005	REV. 006	REV. 007	REV. 008
DF	A5						



QUADRAX SOCKET ASSY SHOWN INSTALLED IN STANDARD ARINC 600, SIZE 1 INSERT WITH REAR RELEASE, REAR REMOVABLE SIZE 8 QUADRAX CAVITY



REV. 001	REV. 002	REV. 003	REV. 004	REV. 005	REV. 006	REV. 007	REV. 008
DF	A5						

DATE	25 JUNE 2004	REV. 001	REV. 002	REV. 003	REV. 004	REV. 005	REV. 006	REV. 007	REV. 008
DESCRIPTION	ASSEMBLY, SOCKET, QUADRAX, 2mm SO, AIRCRAFT DATA NETWORK, RR/RR WITH SOCKET CONTACTS								
DESIGNED BY	A 00778 1445693								
CHECKED BY	A 00778 1445693								
DATE	21 JUNE 2004								
SCALE	2:1								
CUSTOMER DRAWING	A 00778 1445693								