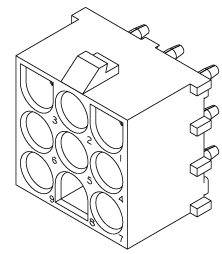
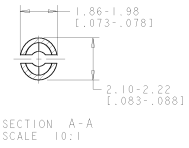
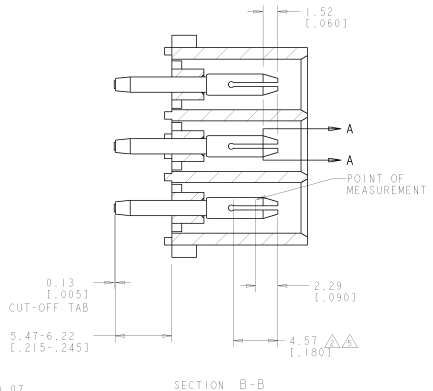
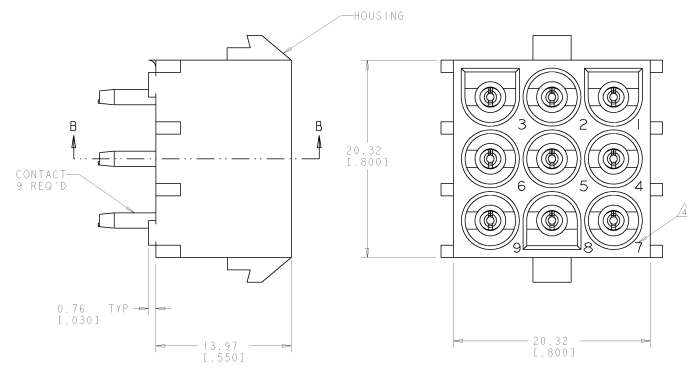
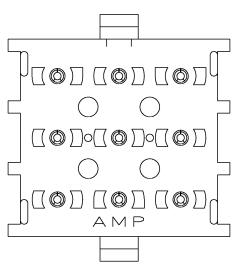
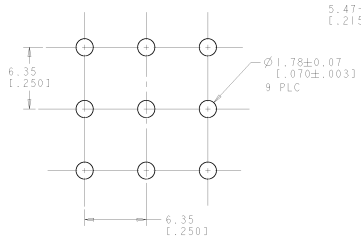


8	7	6	5	4	3	2	1
DATE MANUFACTURED	REVISIONS FOR IDENTIFICATION						
CM	00						

REV	DATE	DESCRIPTION	BY	CHKD	APP'D
1		REVISED PER QCSB-1100-04	060801	PA	DR



3 DIMENSIONAL MODEL  
SCALE 4:1



RECOMMENDED MOUNTING HOLE PATTERN  
FOR 1.57 [0.062] THICK P.C. BOARD

- PARTS COMPLY TO AMP SOLDERABILITY SPECIFICATION 109-11-3.
- CONTACT IS PLATED OVERALL WITH 0.00127 [0.00050] NICKEL, THEN 0.00076 [0.00030] GOLD OVER CONTACT LENGTH INDICATED AND TIN LEAD ON SOLDER TAIL END.
- MATES WITH HOUSING 350720.
- CIRCUIT IDENTIFICATION CHARACTERS ARE ADJACENT TO THE INDICATED CAVITIES, BUT LOCATION AND ORIENTATION MAY DIFFER FROM PRINT.
- CONTACT IS PLATED OVERALL WITH 0.00127 [0.00050] NICKEL, THEN 0.00076 [0.00030] GOLD OVER CONTACT LENGTH INDICATED AND MATTE TIN ON SOLDER TAIL END.
- DIMENSIONS IN BRACKETS ARE IN INCHES.

PHOSPOR BRONZE, GOLD	NYLON, UL94V-0,NATURAL	350742-4
PHOSPOR BRONZE, GOLD	NYLON, UL94V-0,NATURAL	350742-2
PHOSPOR BRONZE, PRE-TIN	NYLON, UL94V-0,NATURAL	350742-1
PIN CONTACT MATERIAL AND FINISH	HOUSING MATERIAL AND COLOR	PART NUMBER



PART NUMBER: 350742-4 HOUSING: 350720 CONTACT: 350720	<b>Sigma</b> PIN HEADER ASSEMBLY, 9 CIRCUIT, LONG TAIL, UNIVERSAL WIRE-N-KON(TM)	DATE: 00/07/98 REV: A CUSTOMER DRAWING: 350742
---	---	--