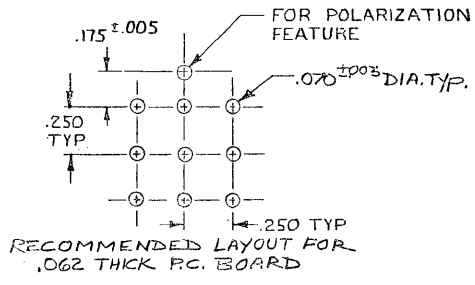
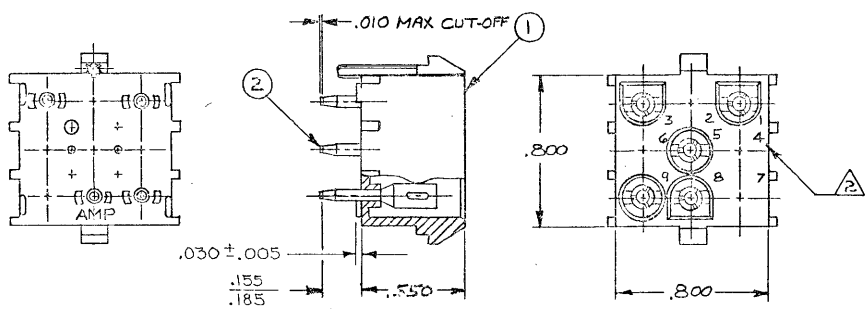


DRAWING MADE IN THIRD ANGLE PROJECTION

THIS DRAWING IS UNPUBLISHED. RELEASED FOR PUBLICATION 19
 © COPYRIGHT 19 BY AMP INCORPORATED, HARRISBURG, PA. ALL INTERNATIONAL RIGHTS RESERVED. AMP PRODUCTS MAY BE COVERED BY U.S. AND FOREIGN PATENTS AND/OR PATENTS PENDING.



REVISIONS					
P	ZONE	LTR	DESCRIPTION	DATE	APPROVED
✓	O		RELEASED NEW DRAWING 6-TT1 83-17	1/2/83	RAY/DH
✓	A		REVISED PER ECN M-1385	9-9-82	SOLO
✓	B		REVISED PER ECN AG-214	1-27-84	MC
✓	B1		RESTORATION	2-24-85	K3/NJ
✓	C		REVISE PER CM-1511	2-10-85	PEC
✓	D		OBSOLETE -1 PER CM-1376	7-12-85	PH
✓	E		REACT-1 PER PR CM 92-36	4-15-86	NJG
✓	F		REV PER ECN 0730-3928-92	1-8-93	NJG
✓	G		REV PER EC 0730-0111-35	8-29-95	JH

9	SOCKET	PH ERZ, PRE-TIN	2	6434-25-1
1	HOUSING	NYLON, 94V-2, NATURAL	1	
	DESCRIPTION	MATERIAL & FINISH	ITEM No.	PART NO
UNLESS OTHERWISE SPECIFIED DIMENSIONS ARE IN INCHES. TOLERANCES ON: DECIMALS ± .015 ANGLES ± .015		CONTRACT NO 3-21-55		
MATERIAL SEE TABLE		AMP INCORPORATED Harrisburg, Pa.		
FINISH SEE TABLE		NAME HEADER ASSEMBLY, SOCKET, POLARIZED UNIVERSAL MATE-N-LOK™, 9 CIRCUIT		
		SIZE 13	FSCM NO 00779	DRAWING NO 64-3425
		SCALE 2:1	SHEET	

1. PARTS COMPLY WITH AMP SOLDERABILITY SPEC 109-11-3.
 2. CIRCUIT IDENTIFICATION CHARACTERS ARE ADJACENT TO THE INDICATED CAVITIES, BUT LOCATION AND ORIENTATION MAY DIFFER FROM PRINT.

CUSTOMER DRAWING