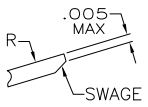
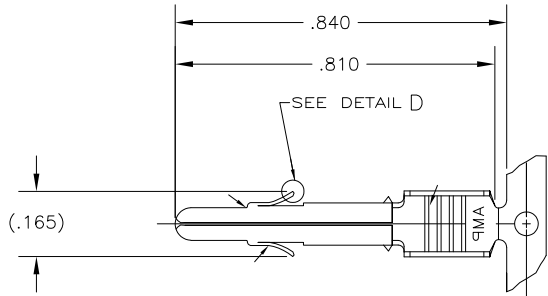


THIS DRAWING IS UNPUBLISHED. RELEASED FOR PUBLICATION
 © COPYRIGHT - By - ALL RIGHTS RESERVED.

LOC		DIST		REVISIONS			
P	LTR	DESCRIPTION	DATE	DWN	APVD		
Y2		REVISED PER ECO-11-020508	11OCT11	JR	TM		



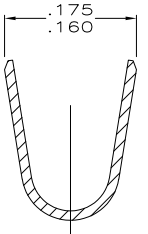
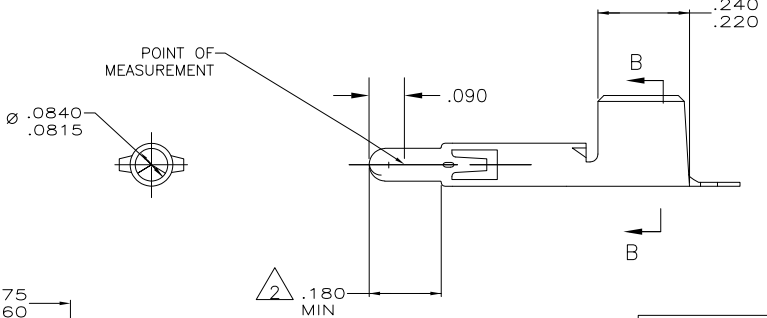
DETAIL C
SCALE 20:1



1. WIRE RANGE : 12-10 AWG
 INSULATION RANGE: .200 DIA MAX
 (LIMITED BY THE CONNECTOR HOUSING
 CAVITY).

2. PLATED WITH .000030 GOLD, OVER
 .000050 NICKEL UNDERPLATE.

3. NOTE DELETED.



SECTION B-B
SCALE 10:1

640309-6	GOLD	.012 PHOS. BRZ.	350922-6
640309-3	PRE-TIN	.12 PHOS. BRZ.	350922-3
LOOSE PIECE (REF)	FINISH	MATERIAL	PART NUMBER

THIS DRAWING IS A CONTROLLED DOCUMENT.		DWN K. WHITAKER 16NOV2006	TE TE Connectivity	
DIMENSIONS: INCHES		CHK S. RIDGILL 16NOV2006		
TOLERANCES UNLESS OTHERWISE SPECIFIED:		APVD S. RIDGILL 16NOV2006	NAME PIN, UNIVERSAL MATE-N-LOK(TM)	
0 PLC ± -	1 PLC ± -	PRODUCT SPEC	SIZE A3	
2 PLC ± -	3 PLC ± .005	APPLICATION SPEC	CAGE CODE 00779	DRAWING NO C-350922
4 PLC ± -	ANGLES ± -	WEIGHT	RESTRICTED TO	
MATERIAL	FINISH	CUSTOMER DRAWING	SCALE 4:1	SHEET 1 of 1
			REV Y2	