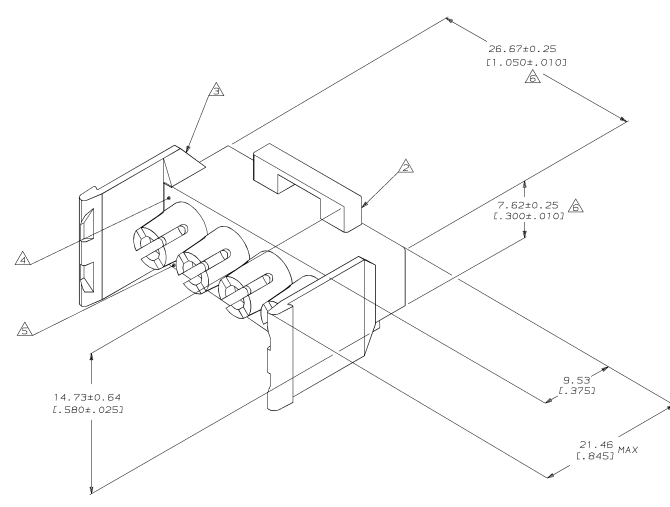


DRAWING MADE IN THIRD ANGLE PROJECTION
 THIS DRAWING IS UNPUBLISHED. RELEASED FOR PUBLICATION
 © copyright 19 BY AMP INCORPORATED. ALL INTERNATIONAL RIGHTS RESERVED.

REVOLUTIONS		DATE	APPD
CM	53	11-28-94	15
REV PER EC	0730-0212-94		



- MUST BE ASSEMBLED WITH CAP FRONT P/N 770049-1 BEFORE MATING. KIT P/N IS 770026-1.
- AMP LOGO LOCATED THIS SURFACE.
- UL AND CSA LOGOS LOCATED THIS SURFACE.
- CIRCUIT NO. 1 IDENTIFICATION BUTTON LOCATED APPROXIMATELY AS SHOWN FAR SIDE.
- LOCATION OF CIRCUIT NUMBERS MOVE BUT WILL REMAIN ADJACENT TO APPROPRIATE CAVITY (LOCATED FAR SIDE).
- DIMENSION INDICATED IS AS MOLDED. ADDITIONAL GROWTH DUE TO SUBSEQUENT MOISTURE ABSORPTION MAY OCCUR.

770050-1
PART NUMBER

METRIC

DO NOT SCALE PRINT. UNLESS SPECIFIED DIMENSIONS IN INCHES TOLERANCES ON: 1 P L.C. DEC # 0.13 (.005) ANGLES #		DR 1-15-92 K. SAKON	AMP INCORPORATED Merrillburg, Pa. 17105
CHK 1-15-92 R. SAKON		NAME	
MATERIAL NYLON, UL94V-0,		APPD 1-16-92 H. TROEL	CAP REAR, 4 CIRCUIT, UNIVERSAL MATE-N-LOK™ II
FINISH	APPLICATION SPEC	PRODET SPEC	SIZE D
WEIGHT			FSGN NO 00773
			DRAWING NO 770050
			SCALE 5:1
			SHEET 1 OF 1

CUSTOMER DRAWING