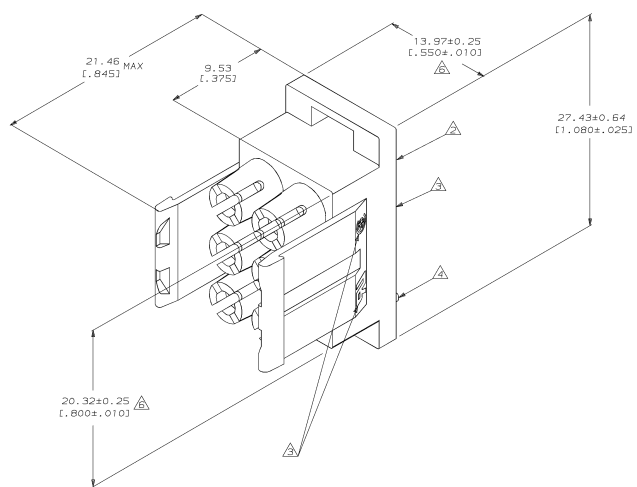


DRAWING MADE IN THIRD ANGLE PROJECTION
 THIS DRAWING IS UNPUBLISHED. RELEASED FOR PUBLICATION
 © Copyright 19 BY AMP INCORPORATED. ALL INTERNATIONAL RIGHTS RESERVED.

REVOLUTIONS				DATE	APPD
REV	DESCRIPTION	DATE	APPD	REV	APPD
1	REV PER EC 0730-0040-95	8-21-88	PS	15	



- MUST BE ASSEMBLED WITH CAP FRONT P/N 770051-1 BEFORE MATING. KIT P/N IS 770027-1.
- AMP LOGO LOCATED THIS SURFACE.
- UL AND CSA LOGOS LOCATED THIS SURFACE.
- CIRCUIT NO. 1 IDENTIFICATION BUTTON LOCATED APPROXIMATELY AS SHOWN.
- LOCATION OF CIRCUIT NUMBERS MOVE BUT WILL REMAIN ADJACENT TO APPROPRIATE CAVITY.
- DIMENSION INDICATED IS AS MOLDED. ADDITIONAL GROWTH DUE TO SUBSEQUENT MOISTURE ABSORPTION MAY OCCUR.
- DIMENSIONS IN BRACKETS ARE IN INCHES.

770052-1
PART NUMBER

METRIC

DO NOT SCALE PRINT. UNLESS SPECIFIED DIMENSIONS IN mm TOLERANCES ON + P L C DEC # 0.13 (.005) ANGLES #		DR 1-15-92 K. SAKON	AMP INCORPORATED Merrillburg, Pa. 17105	
CHK 1-15-92 R. SAINE	APPD 1-16-92 H. TROEL	NAME		
MATERIAL NYLON, UL94V-0,	APPD 1-16-92 H. TROEL	PRODUCT SPEC		
FINISH	APPLICATION SPEC	SIZE D	FSGN NO 00773	DRAWING NO 770052
WEIGHT		SCALE 5:1	SHEET 1 OF 1	

CUSTOMER DRAWING