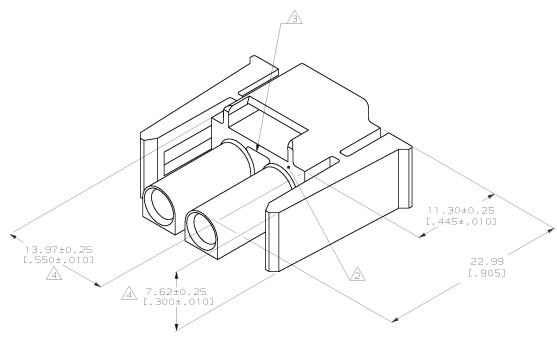


THIS DRAWING IS UNLESS SPECIFICALLY RELEASED FOR PUBLICATION
 © COPYRIGHT 1987 BY AMP INCORPORATED. ALL INTERNATIONAL RIGHTS RESERVED.

REV. NO.		DATE		DESCRIPTION		APPROVED	
CM	53			E	REV PER EC 0L30-0036-97		

- MUST BE ASSEMBLED WITH PLUG REAR P/N 770032-1 BEFORE MATING. KIT P/N IS 770017-1.
- △ AMP LOGO LOCATED THIS SURFACE.
 - △ NEW MOLD CONSTRUCTION PROVIDES MATERIAL REDUCTION CORING AT BASE OF SILOS WITH NO CORING AS OPTIONAL.
 - △ DIMENSION INDICATED IS AS MOLDED. ADDITIONAL GROWTH DUE TO SUBSEQUENT MOISTURE ABSORPTION MAY OCCUR.



METRIC

770031-1
PART NUMBER

DO NOT SCALE PRINT. UNLESS SPECIFIED, DIMENSIONS IN INCHES TOLERANCES: .015 FRACTIONS: 16 DECIMALS: 0.13 (0.005) HOLES: .015		IN 1-15-92 F. SAKEN DHR 2-15-92 PL. SAKEN APFD 1-16-92 H. TRAL APFD 1-16-92 H. TRAL MODDET SPEC	AMP AMP INCORPORATED Harrisburg, Pa. 17105 PLUG FRONT, 2 CIRCUIT, UNIVERSAL MATE-N-LOK™ II SIZE D PSCR NO 00779 DRAWING NO 770031 SCALE 5:1 SHEET 1 OF 1
--	--	---	---

CUSTOMER DRAWING