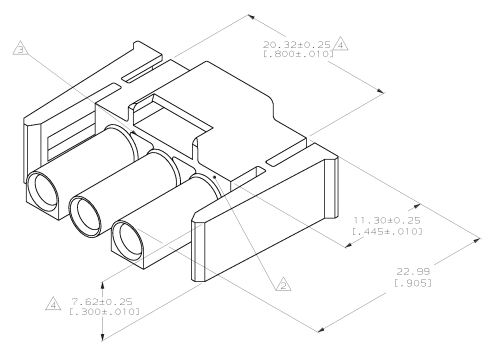


REAR VIEW IN DIMED ANGLE PROJECTION
 THIS DRAWING IS UNCLASSIFIED AND IS RELEASED FOR PUBLICATION
 © COPYRIGHT 19 BY AMP INCORPORATED. ALL INTERNATIONAL RIGHTS RESERVED.

REV. NO.		DATE		DESCRIPTION		APPROVED	
CM	53			E	REV PER EC 0L30-0036-97		

- 1. MUST BE ASSEMBLED WITH PLUG REAR P/N 770034-1 BEFORE MATING. KIT P/N IS 770018-1.
- △ AMP LOGO LOCATED THIS SURFACE.
- △ NEW MOLD CONSTRUCTION PROVIDES MATERIAL REDUCTION CORING AT BASE OF SILOS WITH NO CORING AS OPTIONAL.
- △ DIMENSION INDICATED IS AS MOLDED. ADDITIONAL GROWTH DUE TO SUBSEQUENT MOISTURE ABSORPTION MAY OCCUR.



770033-1
PART NUMBER

METRIC

DO NOT SCALE PRINT. UNLESS SPECIFIED, DIMENSIONS IN INCHES TOLERANCES ON: F.F.C. DEC # 0.13 (0.005) HOLES # _____		IN 1-16-92 F. SAKEN DR 1-16-92 PL. SAKEN APPD 1-16-92 H. TRAL		AMP AMP INCORPORATED Harrisburg, Pa. 17105	
MATERIAL NYLON,UL94V-0,		APPD 1-16-92 H. TRAL MODIFY SPEC _____		NAME PLUG FRONT, 3 CIRCUIT, UNIVERSAL MATE-N-LOK™ II	
FINISH _____ APPLICATION SPEC _____ MFGM _____		SIZE D PSCR NO 00779 SCALE 5:1		DRAWING NO 770033 SHEET 1 OF 1	

CUSTOMER DRAWING

13-148-97 13,511,17 and 18726 /note/cax18726/0,08-13-36-97