

4

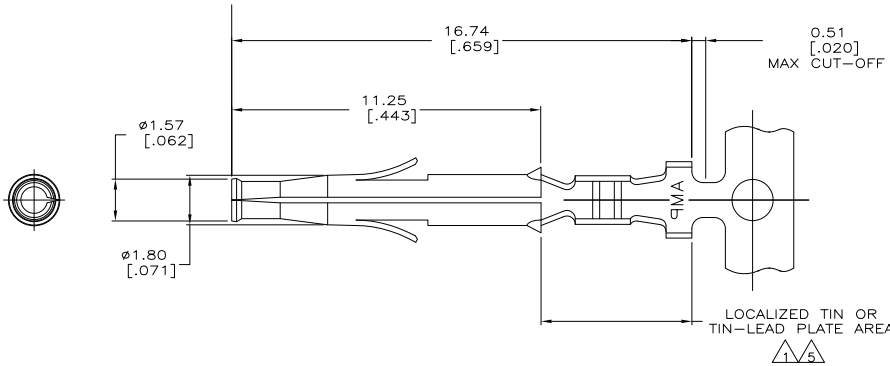
3

2

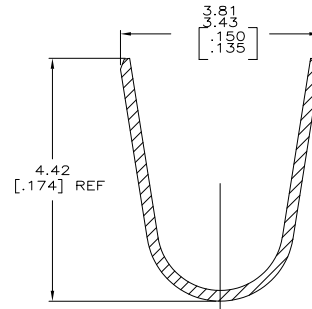
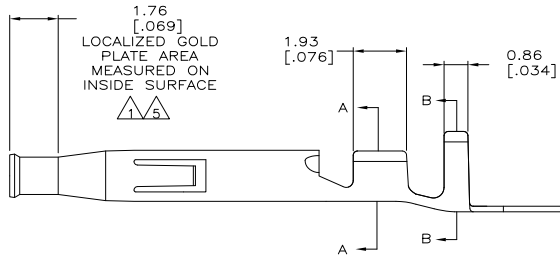
1

THIS DRAWING IS UNPUBLISHED. RELEASED FOR PUBLICATION.
 © COPYRIGHT BY TYCO ELECTRONICS CORPORATION. ALL RIGHTS RESERVED.

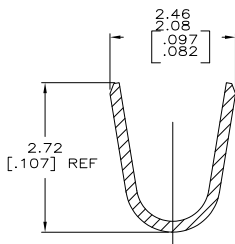
LOC	DIST	REVISIONS		
F	LR	DESCRIPTION	DATE	BY
CM	53			
	B1	ECO-07-014444	21JUN07	KW CJ



- 1. 0.00076 [0.00030] MIN GOLD IN LOCALIZED GOLD PLATE AREA AND 0.00254 [0.00100] MIN BRIGHT TIN-LEAD IN LOCALIZED TIN-LEAD PLATE AREA OVER 0.0013 [0.00050] MIN NICKEL.
- 2. DIMENSIONS IN BRACKETS ARE IN INCHES.
- 3. INSULATION RANGE :1.50-2.40[.060-.094] DIA.
- 4. WIRE RANGE: 0.3 - 0.9mm² (22-18 AWG).
- 5. 0.00076 [0.00030] MIN GOLD IN LOCALIZED GOLD PLATE AREA AND 0.00254 [0.00100] MIN MATTE TIN IN LOCALIZED TIN PLATE AREA OVER 0.0013 [0.00050] MIN NICKEL.



SECTION B-B
SCALE 20:1



SECTION A-A
SCALE 20:1

△5	0.20 [.008] BRASS	1-794137-0
△	0.20 [.008] BRASS	794137-3
PRE-TIN	0.20 [.008] BRASS	794137-1
FINISH	MATERIAL	PART NUMBER

METRIC

THIS DRAWING IS A CONTROLLED DOCUMENT.		DRW	1700T98	Tyco Electronics Corporation	
DIMENSIONS: mm [INCHES]		CHK	1700T98	Harrisburg, PA 17105-3608	
TOLERANCES UNLESS OTHERWISE SPECIFIED:		DES	1700T98	NAME	
0 PLG	± .005	R	1700T98	SOCKET,	
1 PLG	± .005	PRO	1700T98	MINI UNIVERSAL MATE-N-LOK(TM)	
2 PLG	± .005	APP	1700T98	RESTRICTED TO	
3 PLG	± 0.15[.006]	WEI	1700T98	-	
4 PLG	± .005	FIN	1700T98	-	
ANGLES	± .1°	WGT	1700T98	-	
MATERIAL	SEE TABLE	SIZE	A2	CAGE CODE	00779
FINISH	SEE TABLE	DRAWING NO	C	794137	
CUSTOMER DRAWING		SCALE	10:1	SHEET	1 of 1