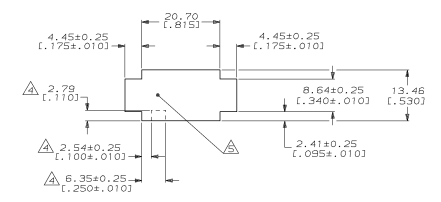
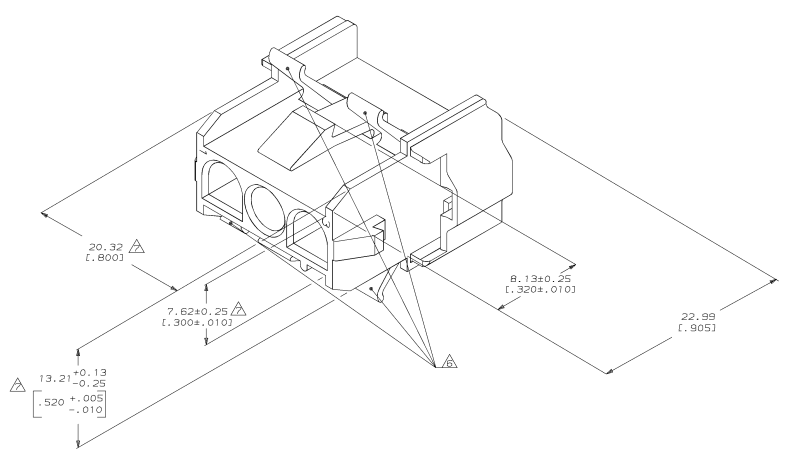


DRAWING MADE IN THIRD ANGLE PROJECTION
 THIS DRAWING IS UNPUBLISHED. RELEASED FOR PUBLICATION
 © copyright 19 BY AMP INCORPORATED. ALL INTERNATIONAL RIGHTS RESERVED.

REV	DATE	DESCRIPTION	APPD
1	10-1-96	REV PER EC 0L30-0060-96	

- MUST BE ASSEMBLED WITH CAP REAR P/N 770048-1 BEFORE MATING. KIT P/N IS 770025-1.
- △ RECOMMENDED PANEL THICKNESS 0.76-2.29 (.030-.090).
 - △ PANEL MUST BE PUNCHED SO THAT THE HOUSING ENTERS THE PANEL IN THE SAME DIRECTION AS THE PUNCH.
 - △ OPTIONAL FOR KEYING HOUSING IN PANEL.
 - △ CIRCUIT NUMBER 1 LOCATION.
 - △ AMP LOGO LOCATED ONCE ON ANY INDICATED SURFACE FAR SIDE.
 - △ DIMENSION INDICATED IS AS MOLDED. ADDITIONAL GROWTH DUE TO SUBSEQUENT MOISTURE ABSORPTION MAY OCCUR.



RECOMMENDED PANEL CUTOUT
 (HOUSING ENTRY SIDE)
 SCALE 2:1

770047-1
 PART NUMBER

METRIC

DO NOT SCALE PRINT. UNLESS SPECIFIED DIMENSIONS IN INCHES TOLERANCES ON: 1 P/LC DEC # 2 P/LC DEC # 3 P/LC DEC # 0.13 1.005 ANGLES #		DR 1-15-92 K. SARON	AMP AMP INCORPORATED Morton, Pa. 17055
FINISH _____		CHK 1-15-92 K. SARON	
MATERIAL NYLON, UL94V-0,	APPD 1-16-92 M. TROEL	NAME	CAP FRONT, 3 CIRCUIT, UNIVERSAL MATE-N-LOK™ II
PRODUCT SPEC _____	APPLCATION SPEC _____	SIZE D	PSOR NO 00779
WEIGHT _____	SCALE 5:1	DRAWING NO 770047	SHEET 1 OF 1

CUSTOMER DRAWING