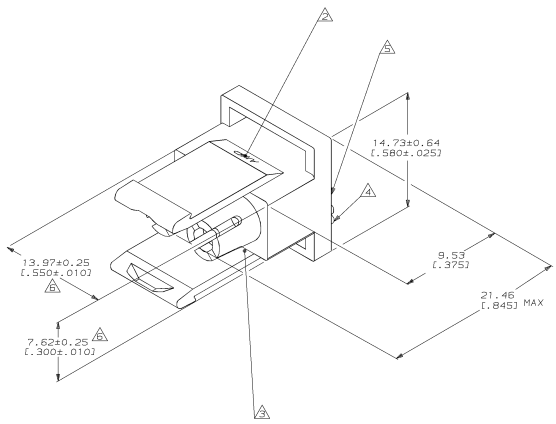


DRAWING MADE IN THIRD ANGLE PROJECTION
 THIS DRAWING IS UNPUBLISHED. RELEASED FOR PUBLICATION
 © copyright 19 BY AMP INCORPORATED. ALL INTERNATIONAL RIGHTS RESERVED.

REVOLUTIONS				DATE	APPD
NO	BY	DATE	DESCRIPTION		
1	CM	53	REV PER EC 0730-0040-95	8-17-88	PS-95

- MUST BE ASSEMBLED WITH PLUG FRONT P/N 770031-1 BEFORE MATING. KIT P/N IS 770017-1.
- AMP LOGO LOCATED THIS SURFACE.
- UL AND CSA LOGOS LOCATED ON FAR SIDE.
- CIRCUIT NO. 1 IDENTIFICATION BUTTON LOCATED APPROXIMATELY AS SHOWN.
- LOCATION OF CIRCUIT NUMBERS MOVE BUT WILL REMAIN ADJACENT TO APPROPRIATE CAVITY.
- DIMENSION INDICATED IS AS MOLDED. ADDITIONAL GROWTH DUE TO SUBSEQUENT MOISTURE ABSORPTION MAY OCCUR.
- DIMENSIONS IN BRACKETS ARE IN INCHES.



770032-1
PART NUMBER

METRIC

DO NOT SCALE PRINT. UNLESS SPECIFIED DIMENSIONS IN mm TOLERANCES ON + P L E DEC # 0.13 (.005) ANGLES #		DR 1-15-92 K. SAKON	AMP INCORPORATED Ann Arbor, Mich. 48106	
MATERIAL: NYLON, UL94V-0, FINISH: _____		CHK 1-15-92 R. SANE	NAME: _____	
APPLICATION SPEC: _____		APPD 1-16-92 H. TROEL	PRODUCT SPEC: _____	
WEIGHT: _____		SIZE: D	FSGN NO: 00779	DRAWING NO: 770032
		SCALE: 5:1	SHEET 1 OF 1	

CUSTOMER DRAWING