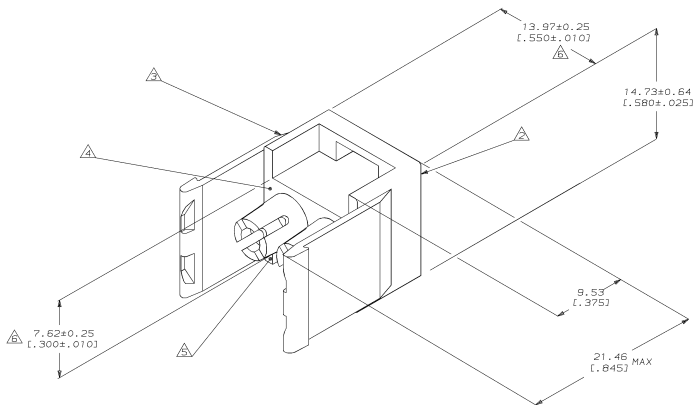


DRAWING MADE IN THIRD ANGLE PROJECTION  
 THIS DRAWING IS UNPUBLISHED. RELEASED FOR PUBLICATION  
 © Copyright 19 BY AMP INCORPORATED. ALL INTERNATIONAL RIGHTS RESERVED.

REVOLUTIONS				DATE	APPD
NO	BY	DATE	DESCRIPTION		
1	CM	53	REV PER EC 0730-0212-94	11-20-94	55



- MUST BE ASSEMBLED WITH CAP FRONT P/N 770045-1 BEFORE MATING. KIT P/N IS 770024-1.
- △ AMP LOGO LOCATED THIS SURFACE.
  - △ UL AND CSA LOGOS LOCATED THIS SURFACE.
  - △ CIRCUIT NO. 1 IDENTIFICATION BUTTON LOCATED APPROXIMATELY AS SHOWN FAR SIDE.
  - △ LOCATION OF CIRCUIT NUMBERS MOVE BUT WILL REMAIN ADJACENT TO APPROPRIATE CAVITY (LOCATED FAR SIDE).
  - △ DIMENSION INDICATED IS AS MOLDED. ADDITIONAL GROWTH DUE TO SUBSEQUENT MOISTURE ABSORPTION MAY OCCUR.

770045-1  
PART NUMBER

**METRIC**

DO NOT SCALE PRINT. UNLESS SPECIFIED, DIMENSIONS IN INCHES TOLERANCES: DR 1-15-92 K. SAKON		AMP INCORPORATED Merrillburg, Pa. 17105	
CHK 1-15-92 R. SAKON	APPD 1-16-92 H. TROLL	NAME	
2 P/LC DEC # 0.13 (±.003)	PRODUCT SPEC	CAP REAR, 2 CIRCUIT, UNIVERSAL MATE-N-LOK™ II	
MATERIAL NYLON, UL94V-0,	FINISH	SIZE <b>D</b>	FSGN NO 00773
APPLICATION SPEC	WEIGHT	SCALE 5:1	DRAWING NO 770046
		SHEET 1 OF 1	

AMP 176-3 PRO 3-97  
 28-NOV-94 11:44:54 cmo18736 /f:\Les\amp18726\A\cap-212

CUSTOMER DRAWING