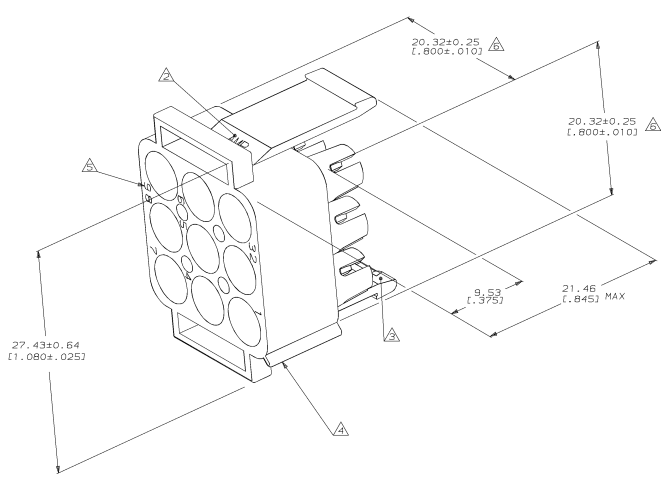


DRAWING MADE IN THIRD ANGLE PROJECTION
 THIS DRAWING IS UNPUBLISHED. RELEASED FOR PUBLICATION
 © Copyright 19 BY AMP INCORPORATED. ALL INTERNATIONAL RIGHTS RESERVED.

REVOLUTIONS		DATE	APPD
CM	53		
REV PER	EC	0730-0040-95	



- MUST BE ASSEMBLED WITH PLUG FRONT P/N 770039-1 BEFORE MATING. KIT P/N IS 770021-1.
- AMP LOGO LOCATED THIS SURFACE.
- UL AND CSA LOGOS LOCATED ON FAR SIDE.
- CIRCUIT NO. 1 IDENTIFICATION RIB LOCATED APPROXIMATELY AS SHOWN.
- LOCATION OF CIRCUIT NUMBERS MOVE BUT WILL REMAIN ADJACENT TO APPROPRIATE CAVITY.
- DIMENSION INDICATED IS AS MOLDED. ADDITIONAL GROWTH DUE TO SUBSEQUENT MOISTURE ABSORPTION MAY OCCUR.
- DIMENSIONS IN BRACKETS ARE IN INCHES.

770040-1
PART NUMBER

METRIC

DO NOT SCALE PRINT. UNLESS SPECIFIED DIMENSIONS IN mm TOLERANCES ON + P L E DEC # 0.13 (.005) ANGLES #		DR 1-15-92 K. SAKON	AMP INCORPORATED Mortgage, Pa. 17105	
CHK 1-15-92 R. SANE	APPD 1-16-92 H. TROLL	NAME		
MATERIAL NYLON, UL94V-0,	APPD 1-16-92 H. TROLL	PRODUCT SPEC		
FINISH	APPLICATION SPEC	SIZE D	FSGN NO 00773	DRAWING NO 770040
WEIGHT		SCALE 5:1		SHEET 1 OF 1

CUSTOMER DRAWING