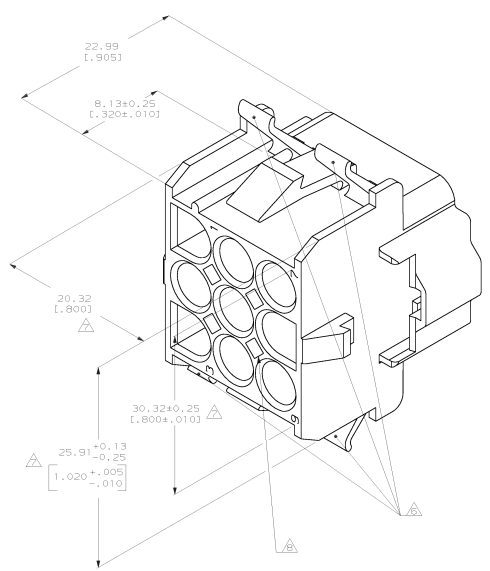
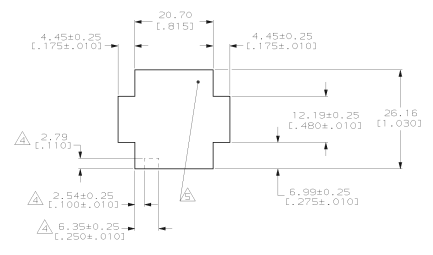


DRAWING MADE IN THIRD ANGLE PROJECTION
 THIS DRAWING IS UNPUBLISHED. RELEASED FOR PUBLICATION
 © COPYRIGHT 19 BY AMP INCORPORATED. ALL INTERNATIONAL RIGHTS RESERVED.

REV	DATE	DESCRIPTION	DATE	APPD
CM	53			
		REV PER EC 003B-0114-02	19-08-02	15-1



- MUST BE ASSEMBLED WITH CAP REAR P/N 770054-1 BEFORE MATING. KIT P/N IS 770028-1.
- ⚠ RECOMMENDED PANEL THICKNESS 0.76-2.29 [1.030-.090].
 - ⚠ PANEL MUST BE PUNCHED SO THAT THE HOUSING ENTERS THE PANEL IN THE SAME DIRECTION AS THE PUNCH.
 - ⚠ OPTIONAL FOR KEYING HOUSING IN PANEL.
 - ⚠ CIRCUIT NUMBER 1 LOCATION.
 - ⚠ AMP LOGO LOCATED ONCE ON ANY INDICATED SURFACE FAR SIDE.
 - ⚠ DIMENSION INDICATED IS AS MOLDED. ADDITIONAL GROWTH DUE TO SUBSEQUENT MOISTURE ABSORPTION MAY OCCUR.
 - ⚠ OPTIONAL CONSTRUCTION PROVIDES ROUND MATERIAL REDUCTION CORING HOLES.



RECOMMENDED PANEL CUTOUT
 (HOUSING ENTRY SIDE)
 SCALE 2:1

770053-1
 PART NUMBER

METRIC

DO NOT SCALE PRINT. UNLESS SPECIFIED. DIMENSIONS IN INCHES PREFERRED ON 1/8" PLG DEC # 0.13 (1.05) MILLIS #		DR 1-15-92 K. SAKSON	AMP INCORPORATED Murrysville, Pa. 17105	
MATERIAL NYLON, UL94V-0,	APPD 1-16-92 M. TRALE	CHR 1-15-92 K. SAKSON	NAME CAP FRONT, 9 CIRCUIT, UNIVERSAL MATE-N-LOK™ II	
FINISH	APPLICATION SPEC	SIZE D	PSCR NO 00779	DRAWING NO 770053
WEIGHT		SCALE 5:1	SHEET 1 OF 1	

CUSTOMER DRAWING