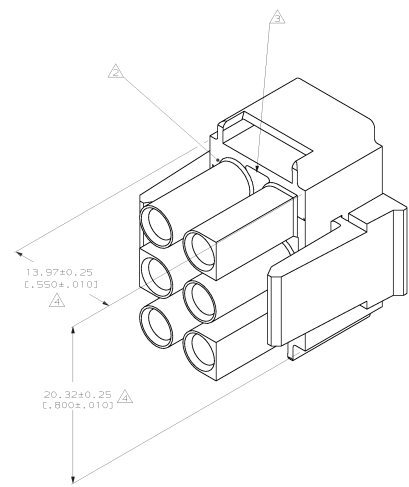


REAR VIEW IN THIRD ANGLE PROJECTION
 THIS DRAWING IS UNLESS SPECIFIED RELEASED FOR PUBLICATION
 © COPYRIGHT 19 BY AMP INCORPORATED. ALL INTERNATIONAL RIGHTS RESERVED.

REV. NO.		DATE		DESCRIPTION		APPROVED	
CM	53			H	REV PER EC 0L30-0036-97		

- MUST BE ASSEMBLED WITH PLUG REAR P/N 770038-1 BEFORE MATING. KIT P/N IS 770020-1.
- AMP LOGO LOCATED THIS SURFACE.
- NEW MOLD CONSTRUCTION PROVIDES MATERIAL REDUCTION CORING AT BASE OF SILOS WITH NO CORING AS OPTIONAL.
- DIMENSION INDICATED IS AS MOLDED. ADDITIONAL GROWTH DUE TO SUBSEQUENT MOISTURE ABSORPTION MAY OCCUR.
- DIMENSIONS IN BRACKETS ARE IN INCHES.



METRIC

770037-1
PART NUMBER

DO NOT SCALE PRINT. UNLESS SPECIFIED DIMENSIONS IN mm TOLERANCES IN μm FRACTIONS DEC # 0.13 (0.005) DECIMALS #		IN 1-15-92 F. SAKEN DR 1-15-92 PL. SAKEN APPD 1-16-92 H. TRUL NYLON,UL94V=0, H. TRUL MODLET SPEC		AMP AMP INCORPORATED Harrisburg, Pa. 17105 PLUG FRONT, 6 CIRCUIT, UNIVERSAL MATE-N-LOK™ II	
FINISH	APPLICATION SPEC	SIZE	PSGR NO	DRAWING NO	
		D	00779	770037	
WEIGHT		SCALE	5:1	SHEET	1 OF 1

CUSTOMER DRAWING