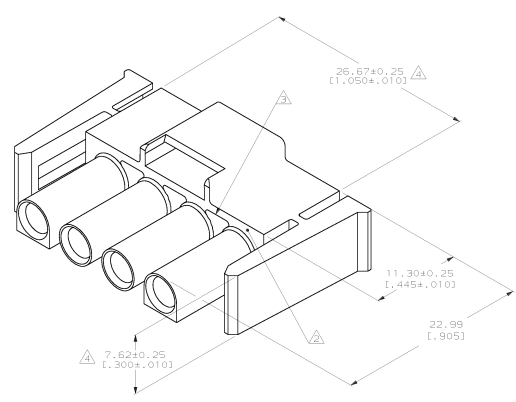


THIS DRAWING IS UNLESS OTHERWISE SPECIFIED, RELEASED FOR PUBLICATION
 © COPYRIGHT 19 BY AMP INCORPORATED. ALL INTERNATIONAL RIGHTS RESERVED.

REV. NO.		DATE		DESCRIPTION	
CM	53			E	REV PER EC 0L30-0036-97



- 1. MUST BE ASSEMBLED WITH PLUG REAR P/N 770036-1 BEFORE MATING. KIT P/N IS 770019-1.
- △ AMP LOGO LOCATED THIS SURFACE.
- △ NEW MOLD CONSTRUCTION PROVIDES MATERIAL REDUCTION CORING AT BASE OF SILOS WITH NO CORING AS OPTIONAL.
- △ DIMENSION INDICATED IS AS MOLDED. ADDITIONAL GROWTH DUE TO SUBSEQUENT MOISTURE ABSORPTION MAY OCCUR.

770035-1
PART NUMBER

METRIC

DO NOT SCALE PRINT. UNLESS SPECIFIED, DIMENSIONS IN INCHES TOLERANCES ON: FRACTIONS: .005 DECIMALS: .010 MILLIMETERS: .050		IN 1-15-92 F. SAKEN DR 1-15-92 PL. SAKEN APPD 1-16-92 H. TRAL NYLON,UL94V-0, H. TRAL MODLET SPEC	AMP AMP INCORPORATED Harrisburg, Pa. 17105 PLUG FRONT, 4 CIRCUIT, UNIVERSAL MATE-N-LOK™ II SIZE D PSCR NO 00779 DRAWING NO 770035 SCALE 5:1 SHEET 1 OF 1
--	--	--	---

CUSTOMER DRAWING