

4

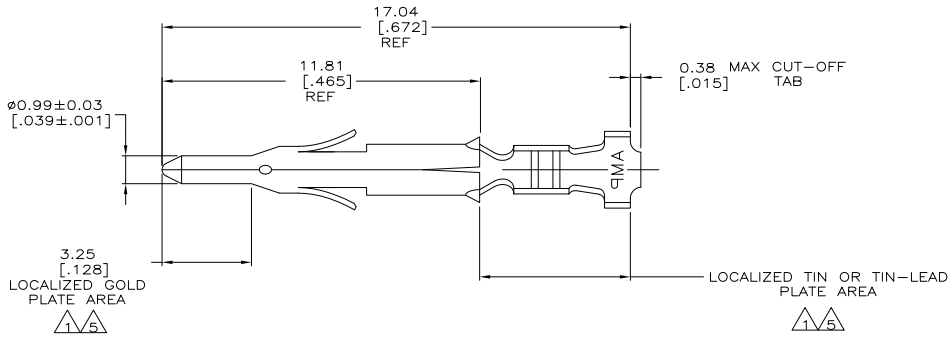
3

2

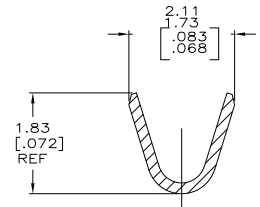
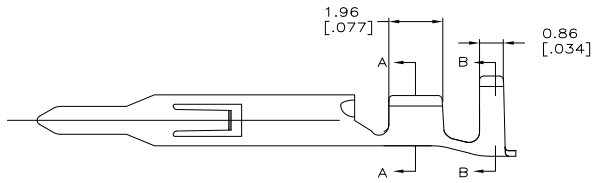
1

THIS DRAWING IS UNPUBLISHED. RELEASED FOR PUBLICATION. ALL RIGHTS RESERVED.

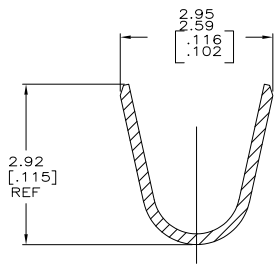
LOC	DIST	REVISIONS		
F	LN	DESCRIPTION	DATE	BY
CM	00			
	G1	REVISED PER ECO-11-004820	11MAR11	RK HMR



- $\triangle 1$ 0.00076 [0.00030] MIN GOLD IN LOCALIZED GOLD PLATE AREA AND 0.00254 [0.00100] MIN BRIGHT TIN-LEAD IN LOCALIZED TIN-LEAD PLATE AREA OVER 0.0013 [0.00050] MIN NICKEL.
- 2. WIRE RANGE: 0.12 - 0.4mm² (26-22 AWG).
- 3. INSULATION RANGE: 1.20-1.75 [0.47-.069] DIA.
- 4. DIMENSIONS IN BRACKETS ARE IN INCHES.
- $\triangle 5$ 0.00076 [0.00030] MIN GOLD IN LOCALIZED GOLD PLATE AREA AND 0.00254 [0.00100] MIN BRIGHT TIN IN LOCALIZED TIN PLATE AREA OVER 0.0013 [0.00050] MIN NICKEL.



SECTION A-A
SCALE 20:1



SECTION B-B
SCALE 20:1



$\triangle 5$	0.20 [0.008] BRASS	1-770985-0
$\triangle 1$	0.20 [0.008] BRASS	770985-3
PRE-TIN	0.20 [0.008] BRASS	770985-1
FINISH	MATERIAL	PART NUMBER

THIS DRAWING IS A CONTROLLED DOCUMENT.		S. HOOVER		TE Connectivity	
DIMENSIONS: mm [INCHES]		DRM	OSMARD3	TE Connectivity	
TOLERANCES UNLESS OTHERWISE SPECIFIED:		CHK	OSMARD3	PIN, LOOSE PIECE	
0 PLG	±	APP	OSMARD3	MINI UNIVERSAL MATE-N-LOK(TM)	
1 PLG	±	NAME	OSMARD3	RESTRICTED TO	
2 PLG	±	PRODUCT SPEC	OSMARD3	-	
3 PLG	± 0.1% (0.05)	APPLICATION SPEC	OSMARD3	SIZE	00779
4 PLG	±	WEIGHT	OSMARD3	CASE CODE	770985
ANGLES	±	FINISH	OSMARD3	DRAWING NO	770985
				SCALE	10:1
				SHEET	1 of 1
				REV	G1
				CUSTOMER DRAWING	