

4

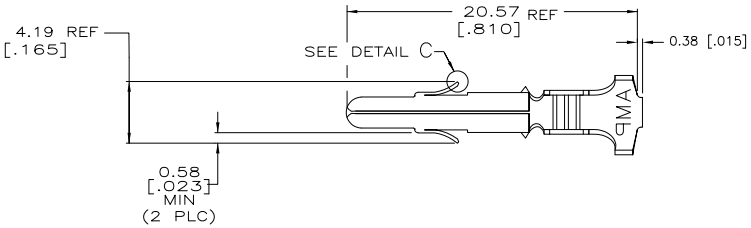
3

2

1

THIS DRAWING IS UNPUBLISHED. RELEASED FOR PUBLICATION. ALL RIGHTS RESERVED.

LOC	DIST	REVISIONS		
F	LNK	DESCRIPTION	DATE	BY
CM	00			
	S1	REVISED PER ECO-11-004820	11MAR11	RK HMR

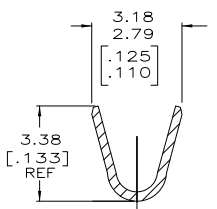
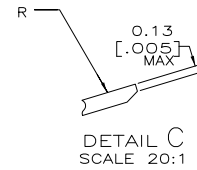
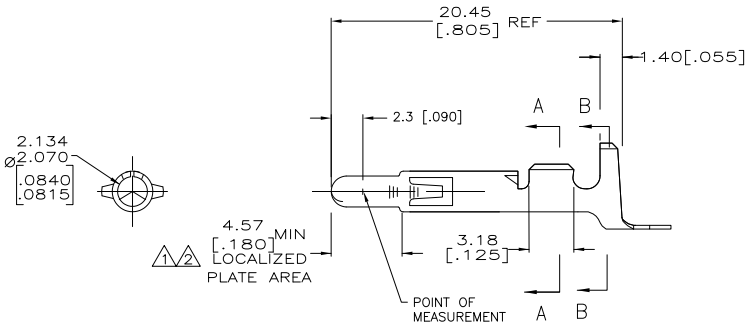


⚠ PLATED WITH 0.00076[.000030] GOLD OVER  
0.00127[.000050] MIN THK NICKEL UNDERPLATE.

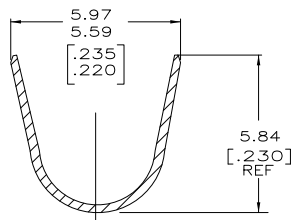
⚠ GOLD OVER NICKEL ON ENTIRE STAMPING; 0.00076[.000030] GOLD  
MINIMUM AT OINT OF MEASUREMENT IN CONTACT AREA, GOLD FLASH  
MINIMUM IN WIRE BARREL.

3. DIMENSIONS IN BRACKETS ARE IN INCHES.

4. WIRE RANGE: 20-14 AWG  
INSULATION RANGE :  $\phi$ 5.08 [.200] MAX



SECTION A-A  
SCALE 10:1



SECTION B-B  
SCALE 10:1

GOLD	⚠	0.30 [.012]	BRASS	350552-7
GOLD	⚠	0.30 [.012]	PH BZ	350552-6
TIN		0.30 [.012]	PH BZ	350552-3
GOLD	⚠	0.30 [.012]	BRASS	350552-2
TIN		0.30 [.012]	BRASS	350552-1
FINISH		MATERIAL		PART NO

DIMENSIONS		TOLERANCES UNLESS OTHERWISE SPECIFIED		APPROVALS		TE CONNECTIVITY	
mm	[INCHES]	FRACTIONS	DECIMALS	DATE	NAME	SIZE	DATE
		0 PLC	±	12NOV2004	K. WHITAKER	A2	00779
		1 PLC	±	12NOV2004	S. RIDGILL	C	350552
		2 PLC	±		S. RIDGILL		
		3 PLC	±				
		4 PLC	±				
		ANGLES	±				
		FINISH					

METRIC