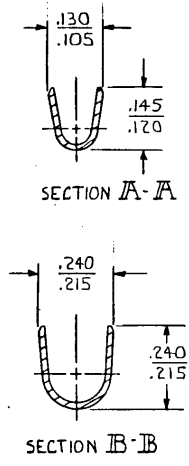
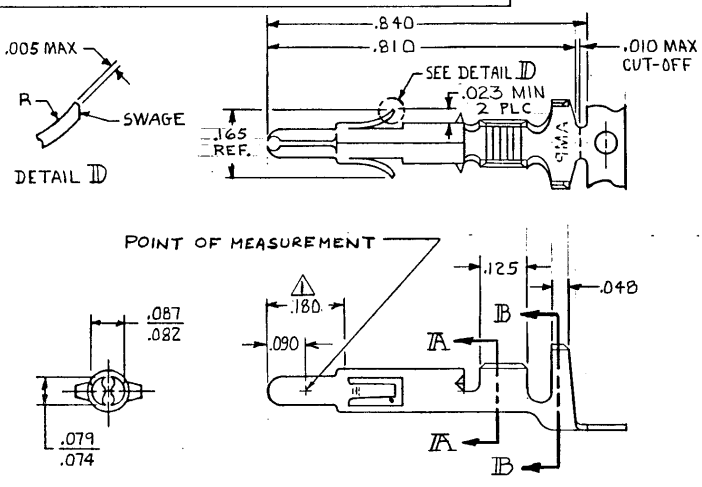


114 DRAWING MADE IN THIRD ANGLE PROJECTION

1 Loc CM DIST 53

© COPYRIGHT

REVISIONS						
P	F	ZONE	LTR	DESCRIPTION	DATE	APPROVED
			V1	REVISED PER ECO-11-005294	07APR11	HMR



- ⚠ PLATED WITH .000030 GOLD, OVER .000050 NICKEL UNDERPLATE.
- ⚠ GOLD OVER NICKEL ON ENTIRE STAMPING; .000030 GOLD MINIMUM AT POINT OF MEASUREMENT IN CONTACT AREA, GOLD FLASH MINIMUM IN WIRE BARREL.
- Ⓜ PACKAGED AND SOLD IN PALLET LOADS ONLY, 44 REELS PER PALLET (110,000 CONTACTS).

QTY	MAKE FROM	MATERIAL	FINISH	PART NO
3	350700-1	PRE-TIN		1-350700-1
	350707-7	.012 BRASS	GOLD	350700-7
		.012 PH BR2	PRE-TIN	350700-3
	350707-2	.012 BRASS	GOLD	350700-2
	350707-1		PRE-TIN	350700-1
	LOOSE PIECE (REF)	MATERIAL	FINISH	PART NO

UNLESS OTHERWISE SPECIFIED DIMENSIONS ARE IN INCHES. TOLERANCES ON: DECIMALS ±.015 ANGLES ±.015	CONTRACT NO	TE Connectivity		
	DR m.feker 4-13-81	NAME SPLIT PIN, UNIVERSAL MATE-N-LOK		
WIRE RANGE 20-14 AWG	CHK S. Meade 6/9/81	SIZE B	CODE IDENT NO 00779	DRAWING NO 350700
INSULATION RANGE .200 DIA MAX	APPD R. Polak 6-10-81	SCALE 4-1		SHCET 1 OF 1

CUSTOMER DRAWING