

4

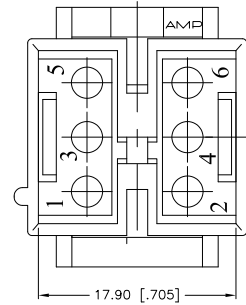
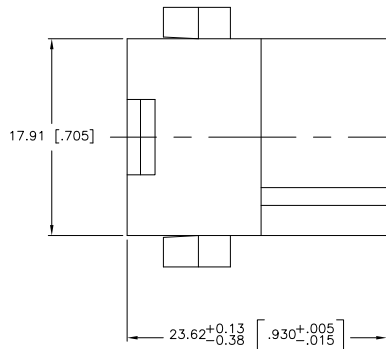
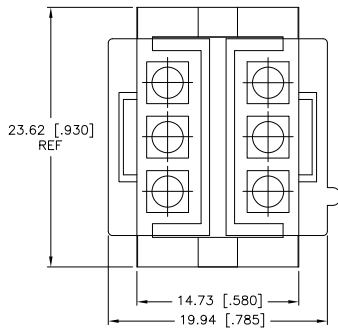
3

2

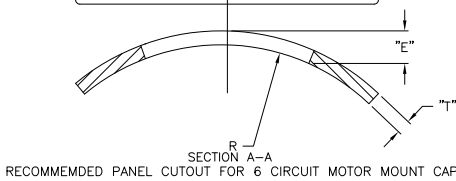
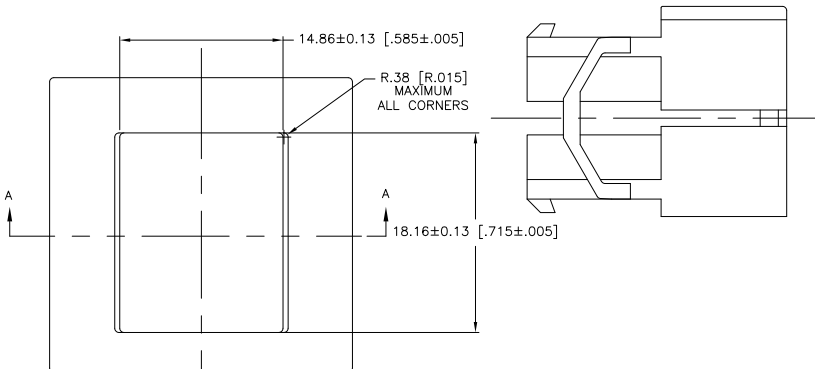
1

THIS DRAWING IS UNPUBLISHED. RELEASED FOR PUBLICATION  
 © COPYRIGHT BY TYCO ELECTRONICS CORPORATION. ALL RIGHTS RESERVED.

LOC	DIST	REVISIONS			
F	LR	DESCRIPTION	DATE	BY	APP
CM	00	N	ECO-07-028188	06DEC07	KW CC



1. TO BE USED WITH MATE-N-LOK(TM) DUAL LANCE PINS.
2. TO BE USED WITH PLUG 480696.
3. EFFECTIVE PANEL THICKNESS "E" IS 1.02 [.040]-2.54 [.100] AND IS DEPENDENT ON "T" & "R".
4. CAP MUST BE INSERTED IN A ROCKING MANNER.
5. HOUSING MUST ENTER PANEL IN THE SAME DIRECTION AS THE PUNCH.
6. PANEL MUST NOT HAVE ANY MATERIAL (PAINT, PORCELAIN, ETC.) APPLIED IN THE MOUNTING HOLE AREA THAT WOULD DECREASE RETENTION OF THE HOUSING IN THE PANEL.



GREEN	NYLON	1-480697-5
RED	NYLON	1-480697-2
NATURAL	NYLON	1-480697-0
COLOR	MATERIAL	PART NO.

THIS DRAWING IS A CONTROLLED DOCUMENT.		DRM S. HOOVER 22-MAY-2003	Tyco Electronics Corporation Harrisburg, PA 17105-3608	
DIMENSIONS: mm [INCHES]		CHK D. COLEY 22-MAY-2003	NAME CAP, MATE-N-LOK(TM), 6 CIRCUIT	
TOLERANCES UNLESS OTHERWISE SPECIFIED:		APP'D D. COLEY	RESTRICTED TO	
0 PLG	± .5	PRODUCT SPEC	SIZE	CAGE CODE
1 PLG	± .5	APPLICATION SPEC	A2	00779
2 PLG	± 0.13 (.005)	WEIGHT	C=	480697
3 PLG	± .5	CUSTOMER DRAWING	SCALE	4:1
4 PLG	± .5		SHEET	1 of 1
ANGLES	± 0.30°		REV	N
MATERIAL	FINISH			

AMP 1471-9 REV 31MM2000

480697

A