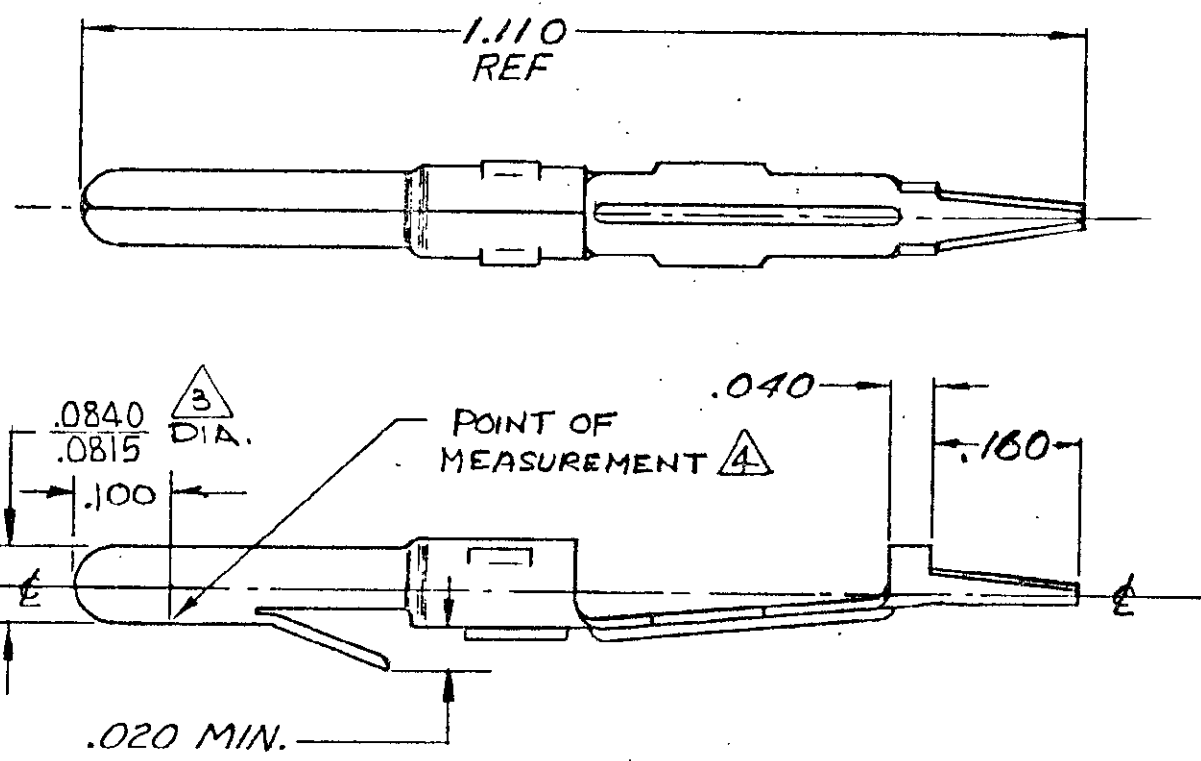


SHEET 1 OF 2  
 NUMBER  
 61518



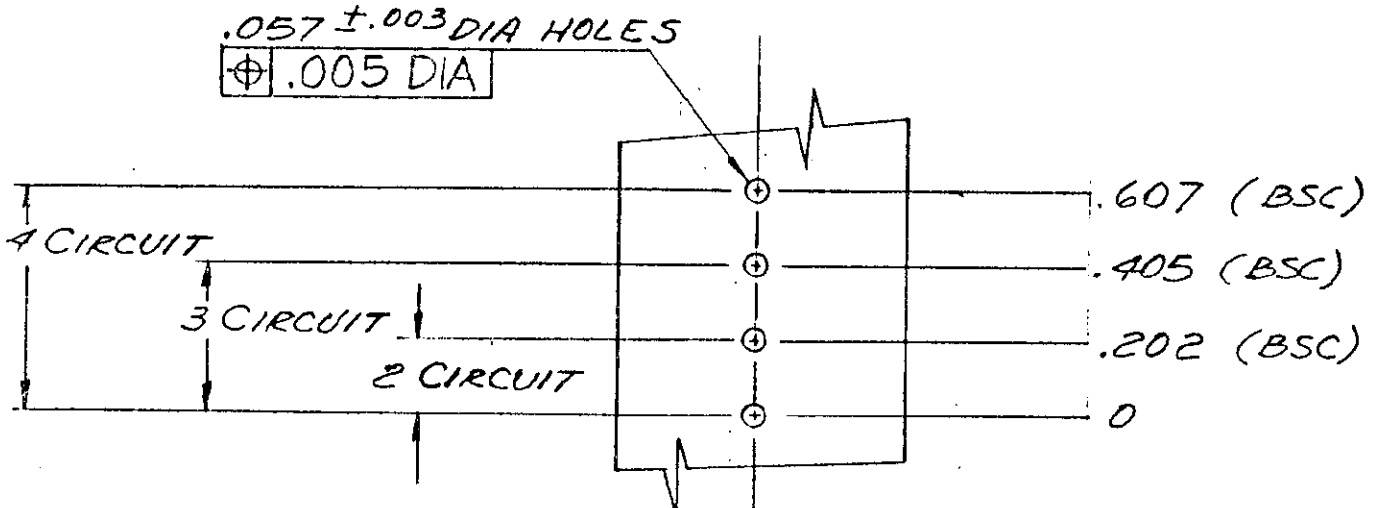
1. TERMINAL SUPPLIED IN INDIVIDUAL FORM, NOT AS CONTINUOUS STRIP.
2. PARTS COMPLY WITH AMP SOLDERABILITY SPEC 109-11-3
- ③ .0815/.0845 DIA OVER .200 MIN. LENGTH.
- ④ .000030 GOLD OVER .000050 NICKEL.

PART NO.	MATERIAL & FINISH
61518-1	.012 PHOS. BRZ PRE-TIN

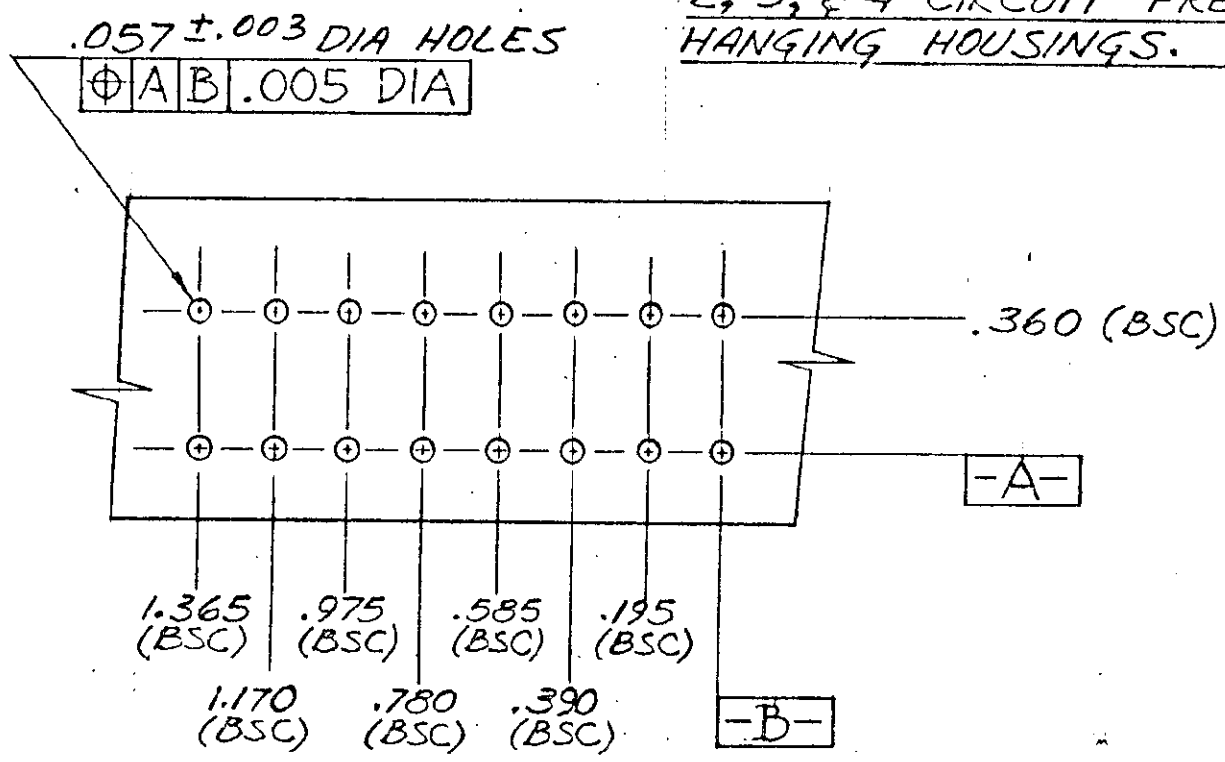
DIMENSIONS IN INCHES. DO NOT SCALE PRINT.

				©1969 BY AMP INCORPORATED, ALL RIGHTS RESERVED. AMP PRODUCTS COVERED BY PATENTS AND/OR PATENTS PENDING.		CUSTOMER COPY REFERENCE ONLY	
				MATERIAL AND FINISH		AMP INCORPORATED HARRISBURG, PENNA.	
				SEE TABLE		CLASS —H—	
				WIRE —RANGE— INSULATION		TYPE —H—	
R REV PER EC 0730-0142-94		RV	RS	3/15/69	TOLERANCE EXCEPT AS NOTED ± .015 ± 1° 0'	SCALE 5X	NO. SHEET 1 OF 2
TR REVISION RECORD		ECN	DR	DATE	NAME	MATE-N-LOK PIN WITH P.C. BOARD TAB	SHEET 1 OF 2
DR JIM KUNKLE		DE	CHK	DATE	NAME	MATE-N-LOK PIN WITH P.C. BOARD TAB	SHEET 1 OF 2

SHEET 2 OF 2  
 NUMBER  
 61518



P.C. BOARD LAYOUT FOR 2, 3, & 4 CIRCUIT FREE-HANGING HOUSINGS.



P.C. BOARD LAYOUT FOR 6, 8, 10, 12, & 16 CIRCUIT MOTOR MOUNT HOUSINGS.

DIMENSIONS IN INCHES. DO NOT SCALE PRINT.

SEE SHEET 1				DATE	NO.	REV.	BY
				6-2-70			
DR	JIM KUNKLE			DE			
CHK	Humble 6-9-70			APP	Humble 6-9-70		

©1970 BY AMP INCORPORATED. ALL RIGHTS RESERVED. AMP PRODUCTS COVERED BY PATENTS AND/OR PATENTS PENDING

CUSTOMER COPY REFERENCE ONLY



AMP INCORPORATED  
HARRISBURG, PENNA.

MATERIAL AND FINISH  
#

CLASS #

WIRE — RANGE — INSULATION TYPE #

TYPE #

TOLE RANCE EXCEPT SCALE LOC NO SHEET 2 OF 2 INCHES  
± .015 ± 1.0' C-1 CH 61518 IR

NAME RECOMMENDED HOLE LOCATIONS FOR MOUNTING MATE-N-LOK HOUSINGS