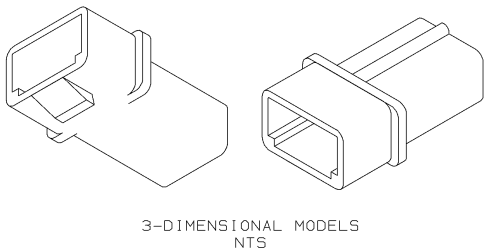
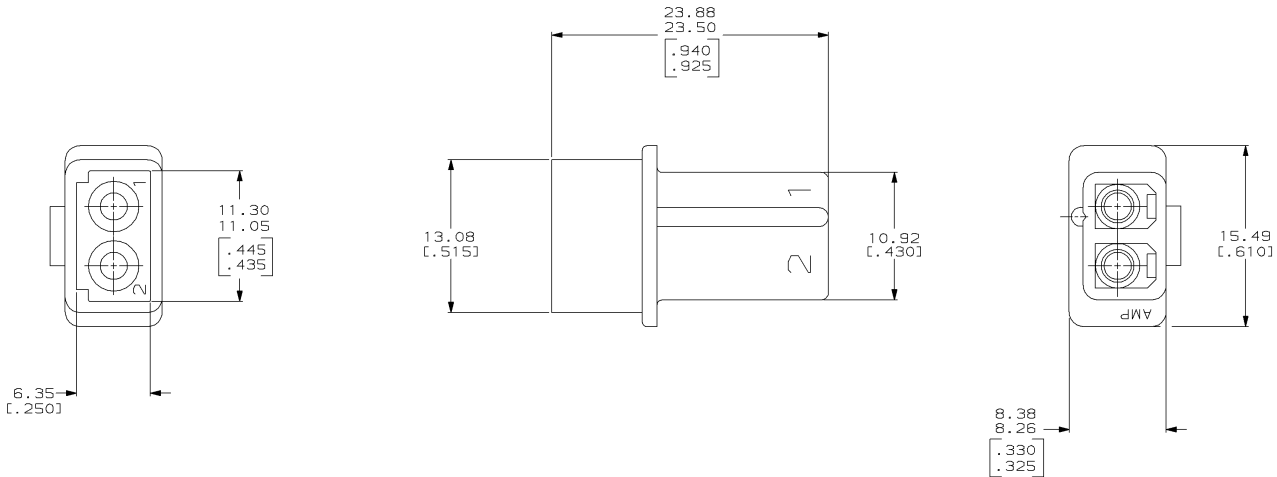


DRAWING MADE IN THIRD ANGLE PROJECTION
 THIS DRAWING IS UNPUBLISHED. RELEASED FOR PUBLICATION
 © COPYRIGHT 1983 BY AMP INCORPORATED. ALL INTERNATIONAL RIGHTS RESERVED.

REVISIONS									
LOC	DIST	P	F	ZONE	LTR	DESCRIPTION	DATE	APPD	KS
CM	53					0	RLSD PER PR CM 93-42	4-26-93	RS

1. THIS CAP TO BE USED WITH PLUG NO. 1-480720-0.
2. TO BE USED WITH APPROPRIATE COMMERCIAL MATE-N-LOK™ PINS.
3. DIMENSIONS IN BRACKETS ARE IN INCHES.



METRIC

THIS DRAWING IS A CONTROLLED DOCUMENT FOR AMP INCORPORATED. IT IS SUBJECT TO CHANGE AND THE CONTROLLING ENGINEERING ORGANIZATION SHOULD BE CONTACTED FOR THE LATEST REVISION.

DO NOT SCALE PRINT. UNLESS SPECIFIED DIMENSIONS IN mm [INCHES] TOLERANCES ON + 2 PLC DEC ± 0.131.0051 3 PLC DEC ± ANGLES ± -		DR 4-26-93 K. SALMON	794012-1 PART NO		
MATERIAL NYLON 94V-2	CHK 4-26-93 R. SWING	APPD 4-26-93 G. BROWN	AMP AMP Incorporated Harrisburg, PA 17105-3608		
FINISH -	APPD 4-26-93 G. BROWN	PRODUCT SPEC -	NAME CAP, POSITIVE LOCK, 2 CIRCUIT, COMMERCIAL MATE-N-LOK		
WEIGHT -	APPLICATION SPEC -	SIZE C	CAGE CODE 00779	DRAWING NO C-794012	SHEET 1 OF 1
		SCALE 4:1	CUSTOMER DRAWING		

AMP 1471-6 REV 3-92
 26 APR 1993 10:08:27 AMP23993 <CE0798>DEPT3323>AMP23993-U-PR93-42