

4

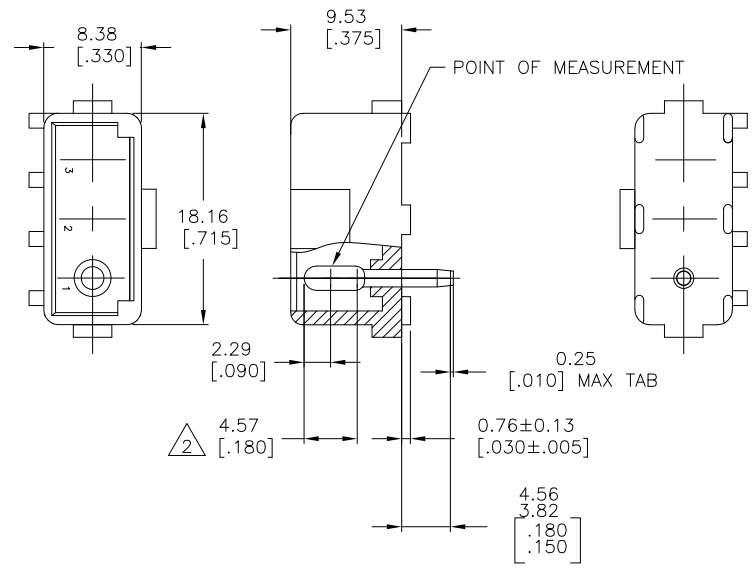
3

2

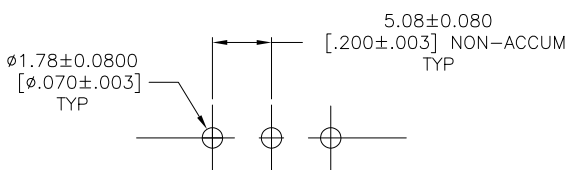
1

THIS DRAWING IS UNPUBLISHED. RELEASED FOR PUBLICATION  
 © COPYRIGHT BY TYCO ELECTRONICS CORPORATION. ALL RIGHTS RESERVED.

LOC	DIST	REVISIONS			
P	LTR	DESCRIPTION	DATE	OWN	APVD
CM	0	REVISED PER ECO-08-013365	29MAY08	HMR	CC



- 1 PARTS MUST COMPLY WITH SOLDERABILITY SPEC. 109-11-3.
- 2 CONTACT IS PLATED OVERALL WITH .000050 NICKEL, THEN .000030 GOLD OVER CONTACT LENGTH INDICATED AND MATTE TIN ON SOLDER TAIL END.



RECOMMENDED LAYOUT FOR  
 1.575 [0.062] THICK P.C. BOARD

SUPERSEDED BY 1586532-2	5-1586532-2	NYLON-GREEN	COPPER ALLOY-GOLD
	1586532-2	NYLON-NATURAL	COPPER ALLOY-GOLD
	ASSEMBLY NO.	HSG, MATL& COLOR	PIN MATL & FINISH

THIS DRAWING IS A CONTROLLED DOCUMENT.		OWN ARJUN	100CT05	Tyco Electronics Corporation Harrisburg, PA 17105-3608	
DIMENSIONS: mm [NCHES]		CHK -	APVD -	NAME 3 CIRCUIT COMMERCIAL MATE-N-LOK(TM) HEADER	
TOLERANCES UNLESS OTHERWISE SPECIFIED:		PRODUCT SPEC -		SIZE A3	
0 PLC ± -		APPLICATION SPEC -		CAGE CODE 00779	
1 PLC ± -		WEIGHT -		DRAWING NO C=1586532	
2 PLC ± -		MATERIAL SEE TABLE		RESTRICTED TO -	
3 PLC ± -		FINISH SEE TABLE		SCALE 3:1	
4 PLC ± -		CUSTOMER DRAWING		SHEET 1 of 1	
ANGLES ± -				REV A	

**METRIC**