

4

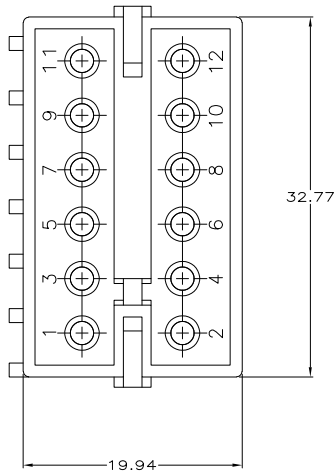
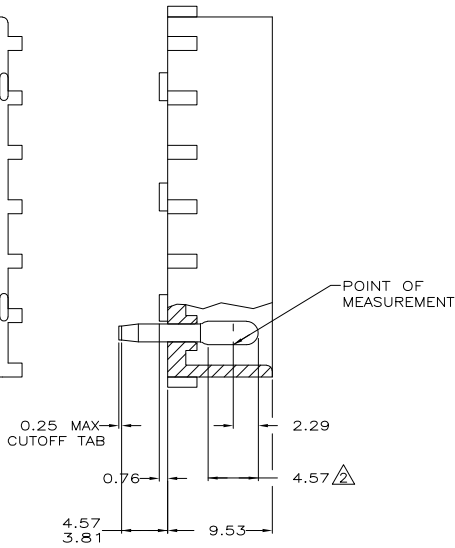
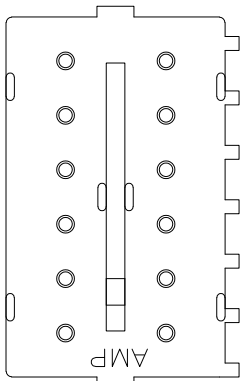
3

2

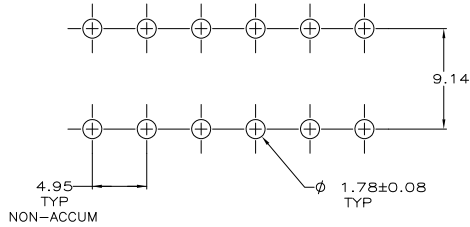
1

THIS DRAWING IS UNPUBLISHED. RELEASED FOR PUBLICATION
 © COPYRIGHT BY TYCO ELECTRONICS CORPORATION. ALL RIGHTS RESERVED.

LOC		DIST		REVISIONS			
F	LR	DESCRIPTION	DATE	BY	APP'D		
0		REVISED PER 063B-1133-05	7/28/05	SS	DC		



- PARTS COMPLY WITH AMP SOLDERABILITY SPEC 109-11-2.
- △ CONTACT IS PLATED OVERALL WITH 0.00127 NICKEL THEN 0.00076 GOLD OVER LENGTH INDICATED AND MATTE TIN ON SOLDER TAIL END.



RECOMMENDED MOUNTING HOLE PATTERN FOR .062 THICK P.C. BOARD

CU ALLOY	△	NYLON, UL94V-0	NATURAL	1586520-2
MATERIAL	FINISH	MATERIAL	COLOR	PART NO
PIN		HOUSING		
THIS DRAWING IS A CONTROLLED DOCUMENT.		DIM S SCHLEGEL 7/28/05 CHK D COLEY 7/28/05 D COLEY D COLEY APIC 7/28/05 NAME PRODUCT SPEC APPLICATION SPEC WEIGHT CUSTOMER DRAWING		
DIMENSIONS: mm		Tyco Electronics Corporation Harrisburg, Pa 17105-3608 HEATER ASSEMBLY, 12 CIRCUIT, COMMERCIAL MATE-N-LOK SIZE CASE CODE DRAWING NO A2 00779 C=1586520 RESTRICTED TO		
MATERIAL	SEE TABLE	FINISH	SEE TABLE	SCALE 4:1 SHEET 1 OF 1 REV 0

AMP 1471-9 REV 31MM2000

1586520

A