

4

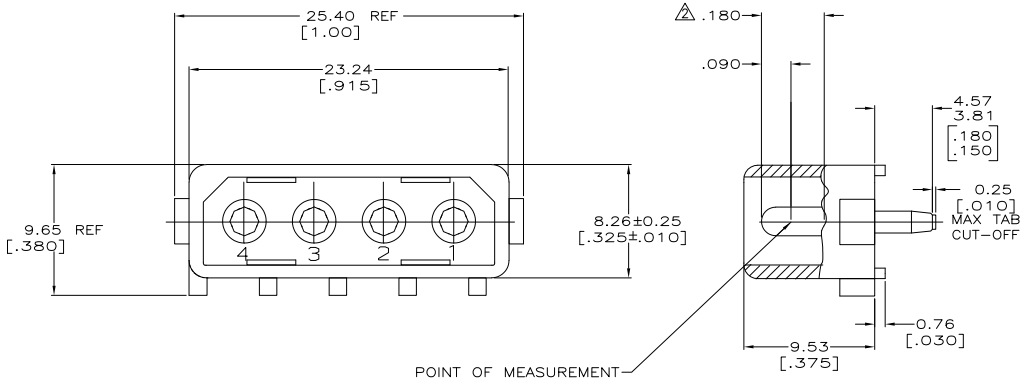
3

2

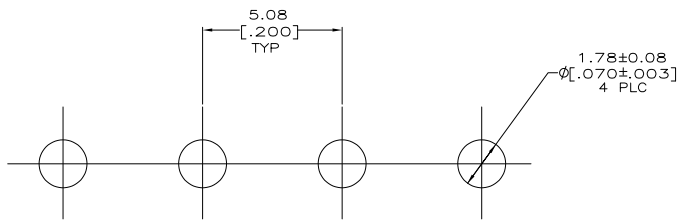
1

THIS DRAWING IS UNPUBLISHED. RELEASED FOR PUBLICATION
 © COPYRIGHT - By - ALL RIGHTS RESERVED.

LOC	DIST	REVISIONS					
CM	0	F	ENR	DESCRIPTION	DATE	OWN	APPD
		P		REVISED PER ECO-11-005027	11MAR11	RK	HMR



- PARTS MUST COMPLY WITH AMP SOLDERABILITY SPECIFICATION 109-11-3.
- CONTACT IS PLATED OVERALL WITH 0.00127 [.000050] NICKEL, THEN 0.00076 [.000030] GOLD OVER CONTACT LENGTH INDICATED AND MATTE TIN ON SOLDER TAIL END.



PHOS BRZ, TIN PLATED	NYLON,UL94V-2	1586515-3
PIN CONTACT MATERIAL & FINISH	HOUSING MATERIAL & COLOR	PART NUMBER
	NYLON,UL94V-2	1586515-2

THIS DRAWING IS A CONTROLLED DOCUMENT.		DATE	BY	NAME	TE Connectivity
DIMENSIONS: mm [INCHES]		7/28/05	S. SCHLEGEL		
TOLERANCES UNLESS OTHERWISE SPECIFIED:		7/28/05	D. COLEY		
0 PLC	± .005	7/28/05	D. COLEY		
1 PLC	± .005				
2 PLC	± .005				
3 PLC	± .005				
4 PLC	± .005				
ANGLES	± 0.30°				
MATERIAL	SEE TABLE	APPLICATION SPEC		SIZE	CASE CODE
FINISH	SEE TABLE	WEIGHT		A2	00779
				C=	1586515
				CUSTOMER DRAWING	SCALE 5:1 SHEET 1 of 1 REV P

1471-9 (3/11)

1586515

A