

4

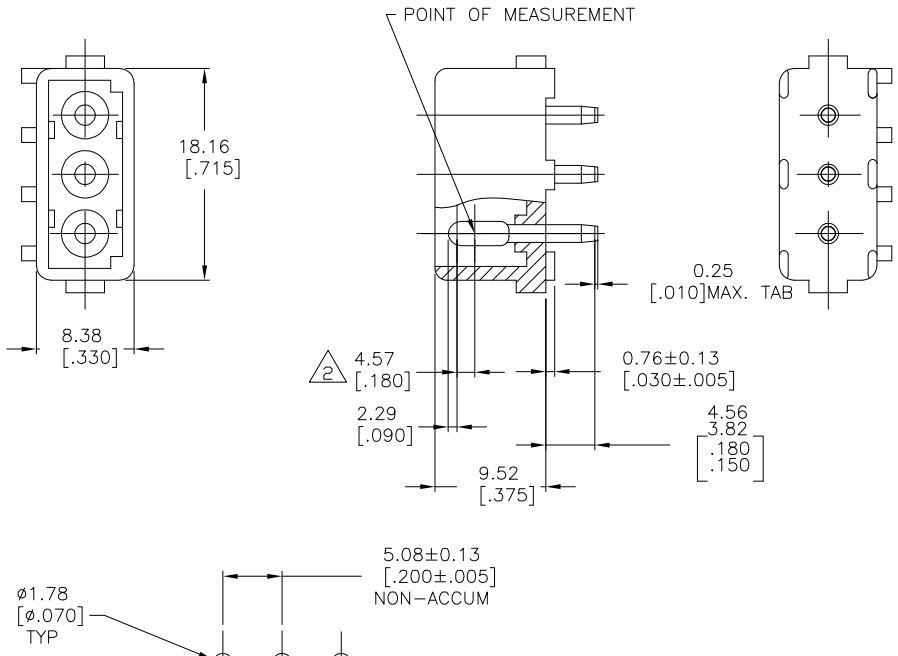
3

2

1

THIS DRAWING IS UNPUBLISHED. RELEASED FOR PUBLICATION
 © COPYRIGHT - BY TYCO ELECTRONICS CORPORATION. ALL RIGHTS RESERVED.

LOC	DIST	REVISIONS				
P	LTR	DESCRIPTION	DATE	DWN	APVD	
CM	00					
0		RELEASED PER 063B-1134-04	060CT05	APB	DC	



1. PARTS MUST COMPLY WITH SOLDERABILITY SPEC. 109-11-3.
 CONTACT IS PLATED OVERALL WITH .000050 NICKEL, THEN .000030 GOLD OVER CONTACT LENGTH INDICATED AND MATTE TIN ON SOLDER TAIL END.

METRIC

1586514-2	NYLON-NATURAL	COPPER ALLOY-GOLD
ASSEMBLY NO.	HSG, MATL& COLOR	PIN MATL & FINISH

THIS DRAWING IS A CONTROLLED DOCUMENT.		DWN	ARJUN	060CT2005	Tyco Electronics Corporation Harrisburg, PA 17105-3608
DIMENSIONS: mm [INCHES]		CHK	D.COLEY	060CT2005	
TOLERANCES UNLESS OTHERWISE SPECIFIED:		APVD	D.COLEY	060CT2005	NAME
0 PLC	± -	PRODUCT SPEC		3 CIRCUIT COMMERCIAL MATE-N-LOK(TM) HEADER	
1 PLC	± -	APPLICATION SPEC		-	
2 PLC	± -	WEIGHT	-	SIZE	CAGE CODE
3 PLC	± -	MATERIAL		A3	00779
4 PLC	± -	FINISH		C=1586514	
ANGLES	± -	MATERIAL		DRAWING NO	
SEE TABLE		SEE TABLE		RESTRICTED TO	
		CUSTOMER DRAWING		SCALE	3:1
				SHEET	1 OF 1
				REV	0