

4

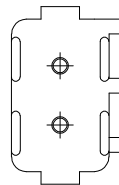
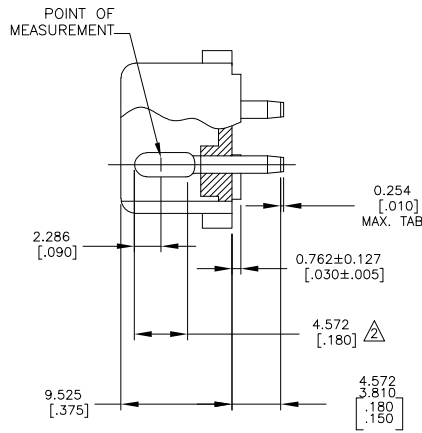
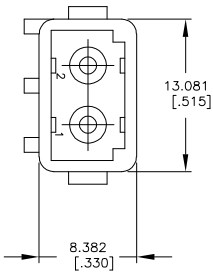
3

2

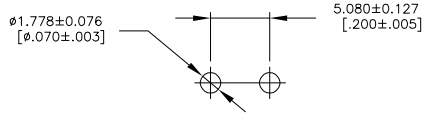
1

THIS DRAWING IS UNPUBLISHED. RELEASED FOR PUBLICATION
 © COPYRIGHT 1586512 BY TYCO ELECTRONICS CORPORATION. ALL RIGHTS RESERVED.

LOC	DIST	REVISIONS				
P	LTR	DESCRIPTION	DATE	DWN	APVD	
CM	00	0	RELEASED PER 063B-1134-04	06OCT05	HMR DC	



1. PARTS MUST COMPLY WITH SOLDERABILITY SPEC. 109-11-3.
 △ CONTACT IS PLATED OVERALL WITH .000050 NICKEL, THEN .000030 GOLD OVER CONTACT LENGTH INDICATED AND MATTE TIN ON SOLDER TAIL END.



RECOMMENDED LAYOUT FOR
 1.575 [0.062] THICK P.C. BOARD

METRIC

1586512-2	NYLON-NAT.	COPPER ALLOY-GOLD △
ASSEMBLY NO.	HSG, MATL& COLOR	PIN MATL & FINISH

THIS DRAWING IS A CONTROLLED DOCUMENT.		DWN RAGHU 06OCT2005	Tyco Electronics Corporation Harrisburg, PA 17105-3608	
DIMENSIONS: mm [INCHES]		CHK D.COLEY 06OCT2005	NAME	
TOLERANCES UNLESS OTHERWISE SPECIFIED:		APVD D.COLEY 06OCT2005	2 CIRCUIT COMMERCIAL MATE-N-LOK (TM) HEADER	
0 PLC ± -		PRODUCT SPEC	-	
1 PLC ± -		APPLICATION SPEC	-	
2 PLC ± -		WEIGHT	-	
3 PLC ± -		SIZE	A3	
4 PLC ± -		CAGE CODE	00779	
ANGLES ± -		DRAWING NO	C=1586512	
MATERIAL SEE TABLE	FINISH SEE TABLE	RESTRICTED TO	-	
CUSTOMER DRAWING		SCALE	3:1	
		SHEET	1 OF 1	
		REV	0	